

# JUNG PUMPEN BAUFIX 100

## UNDERFLOOR SUMP

### APPLICATION

Without a great deal of construction work, the underfloor sump Baufix 100 can be used to remove effluent from laundries, storage or cellar areas below the backpressure level. The use as a collecting tank for faeces is not permitted.

Without formworks, the pressure-resistant PE sump can be placed into the concrete bed as a collecting tank for the underfloor pipework. The installation in areas with high groundwater levels is possible under the use of the ground-water seal.

The pump can be selected according to the amount of wastewater and the kind of dirty water to be transported. In case of slightly dirty water (solid size max. 10 mm), the U3KS, U5KS as well the U6K ES+DS pumps can be used. If the admixtures are larger or the volume of the wastewater is bigger, the use of a pump of the US series is recommendable. Pumps US 73+103 Ex must be used in explosion hazardous areas. For the disposal of condensate from condensing boilers, the U3KS spezial has to be used.

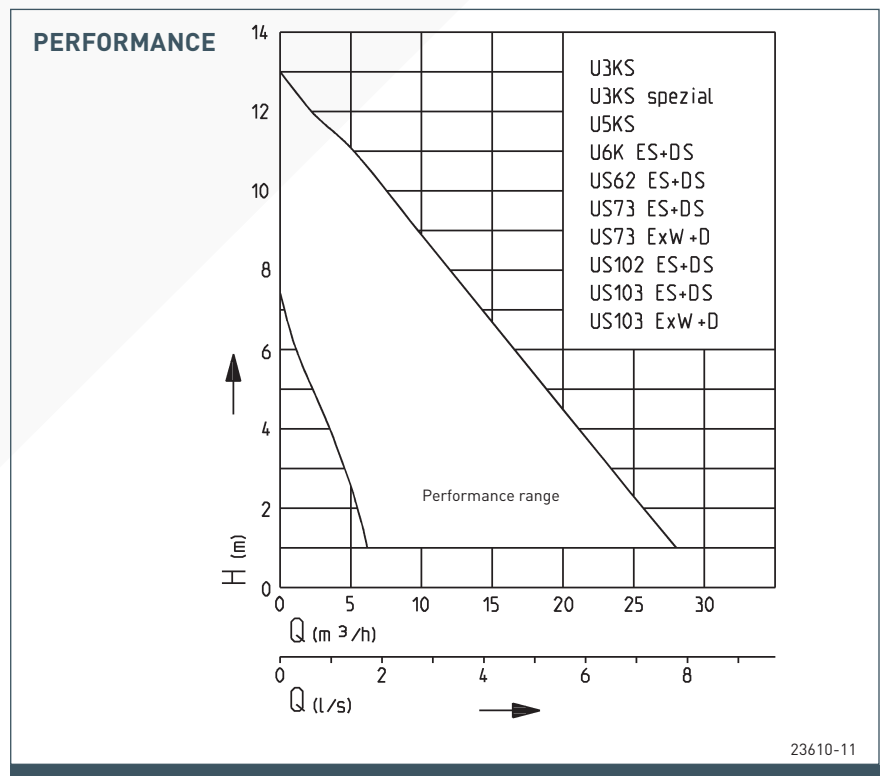
The swing type-check valve prevents the return of the waste-water from the pressure pipe into the sump. The standard odour trap stops annoyance caused by bed smell.

By subsequently adjusting the plastic cover frame, the sump cover can adapt easily variable floor and tile levels.

The unit is in conformity with the specification of German / European standard DIN EN 12050.



- Pressure resistant sump
- Installation in areas with high groundwater levels
- Guide rail system for U3KS | U5KS | U6K ES/DS
- Odour trap
- Floor drain
- Includes complete internal pipework
- Level-compensating frame
- Seal collar for attaching to the customer's thin-bed waterproofing system



We reserve the right to change specifications without notice

Pump performance is subject to ISO 9906 tolerances

The minimum flow velocity in the pressure piping must be 0.7 m/s according to EN 12056.

This data is represented in the performance curve as a limit of application.

# JUNG PUMPEN BAUFIX 100

## UNDERFLOOR SUMP

### UNDERFLOOR SUMP

Type	Dimensions H x W x D	Weight	Code No.
Baufix 100 sump with cover and floor drain, without pump	698 x 555 x 555 mm	14 kg	<b>JP47214</b>

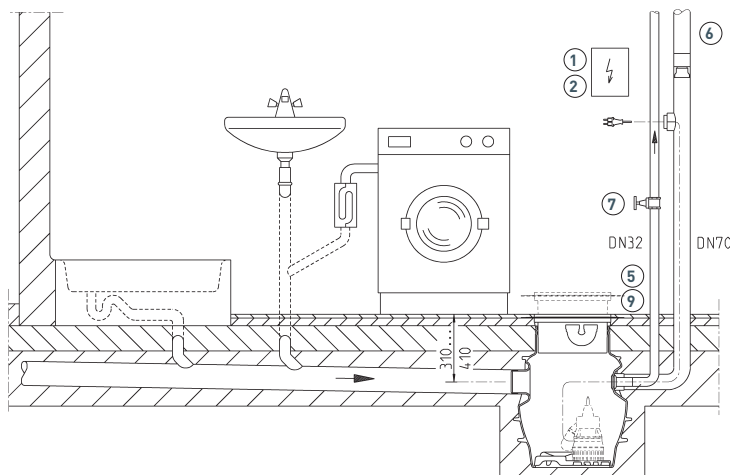
### PERFORMANCE

Types	Delivery head H [m]	1	2	3	4	5	6	7	8	9	10	11	12
U3KS	Flow rate Q [m³/h]	6.5	5.5	5	4	3	1.5						
U3KS spezial		6.5	5.5	5	4	3	1.5						
U5KS		11	10.5	9	7.5	6.5	4.5	2.5					
U6K ES/DS		15.5	14	12.5	11	9	7.5	5.5	3.5	1.5			
US 62 ES		19	17	15	12	10	8	6	4	2			
US 62 DS		22	20	17	15	12	10	8	6	4			
US 73 ES		19	17	15	12	10	8	6	4	2			
US 73 DS		22	20	17	15	12	10	8	6	4			
US 102 ES/DS		28	26	23	21	19	17	15	12	10	8	5	2
US 103 ES/DS		28	26	23	21	19	17	15	12	10	8	5	2
US 73 Ex E		19	17	15	12	10	8	6	4	2			
US 73 Ex D		22	20	17	15	12	10	8	6	4			
US 103 Ex E/D		28	26	23	21	19	17	15	12	10	8	5	2

### ELECTRICAL DATA

Baufix100 sump optionally with type	Type of current	Voltage Volt	Motor rating kW		RPM min <sup>-1</sup>	Current Ampere	Motor protection	Plug
			P <sub>1</sub>	P <sub>2</sub>				
U3KS	1-phase	1/N/PE~230	0.32	0.20	2720	1.4		Safety-
U3KS spezial	1-phase	1/N/PE~230	0.32	0.20	2720	1.4		Safety-
U5KS	1-phase	1/N/PE~230	0.52	0.38	2716	2.3		Safety-
U6K ES	1-phase	1/N/PE~230	0.75	0.49	2645	3.3		Safety-
U6K DS	3-phase	3/PE~400	0.75	0.55	2678	1.3		CEE-
US 62 ES	1-phase	1/N/PE~230	0.83	0.50	2500	3.9	installed in the winding	Safety-
US 62 DS	3-phase	3/PE~400	0.85	0.60	2800	1.4		CEE-
US 73 ES	1-phase	1/N/PE~230	0.83	0.50	2500	3.9		Safety-
US 73 DS	3-phase	3/PE~400	0.85	0.60	2800	1.4		CEE-
US 102 ES	1-phase	1/N/PE~230	1.37	0.98	2700	6.0		Safety-
US 102 DS	3-phase	3/PE~400	1.36	1.06	2740	2.4		CEE-
US 103 ES	1-phase	1/N/PE~230	1.37	0.98	2700	6.0		Safety-
US 103 DS	3-phase	3/PE~400	1.36	1.06	2740	2.4		CEE-
US 73 Ex E	1-phase	1/N/PE~230	0.83	0.50	2510	3.9	in the control	ohne
US 73 Ex D	3-phase	3/PE~400	0.85	0.60	2800	1.4	+ winding	ohne
US 103 Ex E	1-phase	1/N/PE~230	1.37	0.98	2700	6.0	thermostat	ohne
US 103 Ex D	3-phase	3/PE~400	1.36	1.06	2740	2.4		ohne

### Mounting arrangement Baufix 100



When installed in bathrooms and shower rooms, the corresponding German VDE regulations have to be observed !

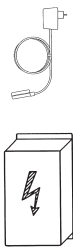
When used downstream of the backpressure level, German / European standard DIN EN 12056 requires the pressure pipe to be connected elastically and to be passed over the locally defined backpressure level in a loop. Moreover, the installation of a non-return valve is prescribed, which has been tested in keeping with German / European standard DIN EN 12050-4. In addition, we recommend an alarm system for monitoring.

22140-04

# JUNG PUMPEN BAUFIX 100

## UNDERFLOOR SUMP

### ACCESSORIES

		Code No.								
	<b>1 Alarm unit AG3</b> with submersible ball contact switch, separate, mains-dependent, with potential-free contact and 3 m cable <b>Alarm unit AG10</b> ditto with 9.5 m cable <b>Alarm unit washing machine stop AW3</b> with submersible ball contact switch, separate, mains-dependent, and 3 m cable <b>Alarm unit washing machine stop AWO</b> (plug housing - for alarm forwarding in case of several washing machines) <b>Control unit AD 4 Ex W</b> (only for US 73 Ex E) <b>Control unit AD 8 Ex W</b> (only for US 103 Ex E) <b>Control unit AD 23 Ex</b> (only for US 73 Ex D) <b>Control unit AD 25 Ex</b> (only for US 103 Ex D) <b>LM-circuit</b> (for explosion-proof pumps only)	JP44891 JP44892 JP44895 JP44899 JP25901 JP25902 JP09754 JP09683 JP01080								
	<b>2 Rechargeable battery</b> for mains-independent alarm	JP44850								
	<b>3 Seal leak detector</b>	DKG (for US pumps only) JP44900 DKG Ex (only for US 73 Ex + US 103 Ex) JP00249								
	<b>4 Assembly set</b> for LM circuit when a US 73 Ex + US 103 Ex is installed	JP22410								
	<b>5 Cover plate</b> , to be tiled with stainless steel floor drain and odour trap	JP24024								
	<b>6 Special ventilation</b> , special filter with housing	JP27484								
	<b>7 Stop valve</b> , 1 1/4" (DN 32), PN 16 <b>Ball valve</b> 1 1/4" (DN32), PVC, for U3KS special	<table border="0"> <tr> <td style="text-align: center;">H</td> <td style="text-align: center;">W</td> <td style="text-align: center;">D</td> <td></td> </tr> <tr> <td style="text-align: center;">110</td> <td style="text-align: center;">max. 60</td> <td style="text-align: center;">1 1/4"</td> <td style="vertical-align: top;">                     JP44785                      JP46111                 </td> </tr> </table>	H	W	D		110	max. 60	1 1/4"	JP44785 JP46111
	H	W	D							
	110	max. 60	1 1/4"	JP44785 JP46111						
<b>8 Guide rail system GR32</b> for Baufix 100	JP46706									
<b>9 Groundwater seal</b>	JP47216									

### MOUNTING INSTRUCTIONS

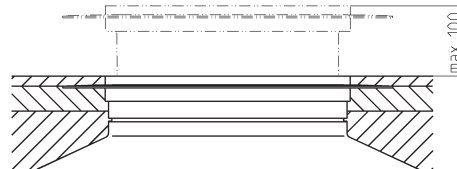
#### Floor-level compensation

The cover with the round throat shoulder in the sump opening can be aligned vertically and rotationally. Thus, Baufix can be adapted to the effective upper edge of floor coverings or tiles laid at a later point. A profiled sealing ring is used to seal the space between sump and cover.

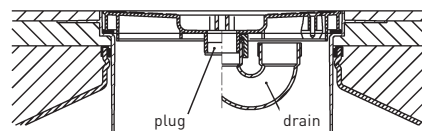
#### Odour trap

An odour trap is provided as a standard for the floor drain. The necessary siphon components belong to the scope of supply.

Max. extension by cover frame



Installation with and without drain



# JUNG PUMPEN BAUFIX 100

## UNDERFLOOR SUMP

### TECHNICAL DATA

#### Tank

Water-tight PE sump (70 l) with two inlets (DN 100), connecting socket for ventilation / cable conduit (DN 70) and connecting socket for pressure pipe DN 32 (PVC pipe, diam. 40 mm), level-compensating plastic frame, odour-tight plastic cover (screw fitted) and odour-tight floor drain.

All connections (sump / plastic cover frame and plastic cover frame / cover plate) are fitted with profiled seals.

#### Installation

Place the sump in the prepared pit and align it. Connect all pipes, backfill the ditch and cast with concrete flush with the floor. Insulation, screed and flooring material are levelled by the height-adjustable plastic cover frame. Screw the pipe connection supplied into the outlet of the pump (shorten pipe length as specified). Fit the pump to the elastic connection in the sump. Pass the power cable of the pump through the venting line up to the T piece (to be provided by the customer according to the installation drawing). The outlet is then sealed odour-tight with the closing plug provided. If ventilation is not possible via the roof, the special ventilation system [see accessories / installation drawing] can be used.

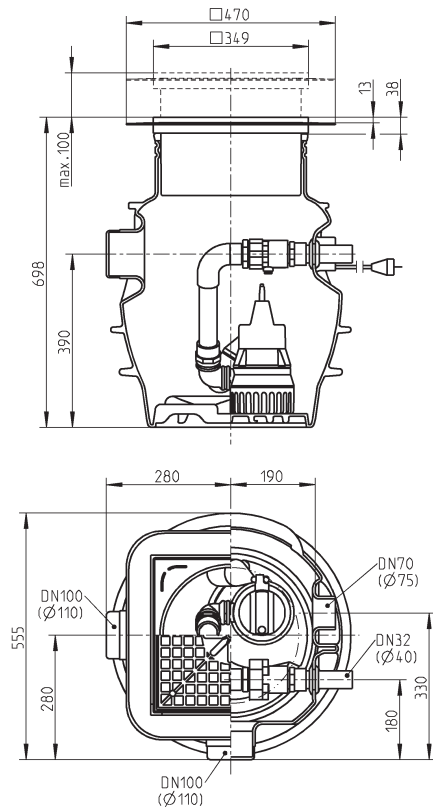
**Caution! It is not necessary to cut off the plug of the pump !**

#### Scope of supply

Plastic sump to receive a pump tested in accordance to the German / European standard DIN EN 12050 with integrally moulded connecting piece and level-compensating plastic cover frame with cover plate, odour trap for floor drain, hose connection, discharge branch, swing-type check valve, parts required for pump installation, plug for cable conduit, without pump.

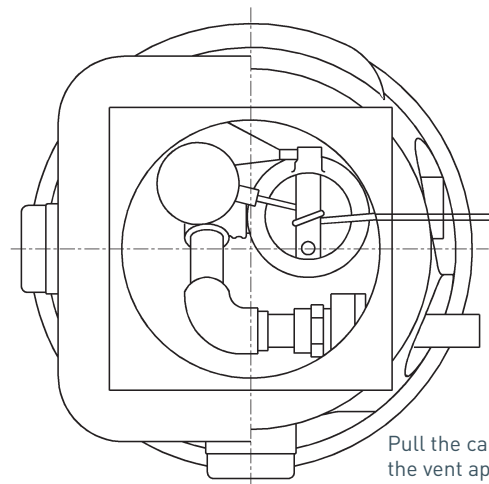


Dimensions Baufix 100 (mm)

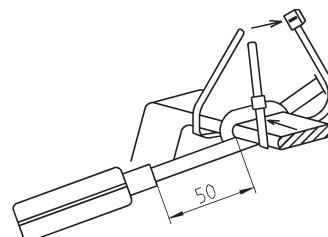


46608-00

Alarm device



Pull the cable through the vent aperture of the tank



Fix the float switch cable with the supplied clip to the pump handle

46899-00