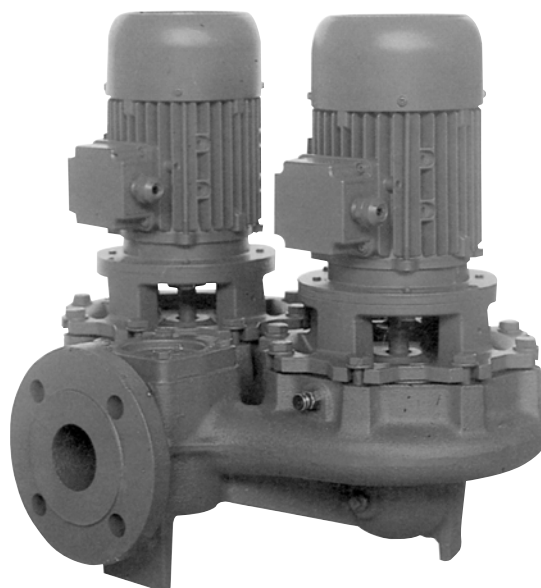
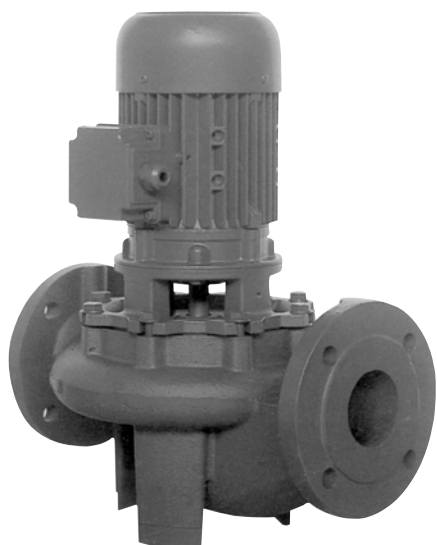




# LPC-LPC4, LPCD-LPCD4

POMPY OBIEGOWE „IN-LINE” z żeliwa

Obiegowe pompy elektryczne budowy „In-line” wykonane z żeliwa, przeznaczone do cyrkulacji wody grzewczej w układach c.o. oraz c.t. jak również do pompowania wody do celów gospodarczych, systemów irygacyjnych itp.



## SPECYFIKACJA

- Maksymalne ciśnienie pracy:  
10 bar (6 bar dla LPC 40-100)
- Temperatura medium: -10 do 130°C

## MATERIAŁY

- Korpus, pokrywa oraz wirnik pompy: żeliwo
- Wał pompy: stal AISI 420
- Korpus silnika oraz wspornik: aluminium
- Uszczelnienie wału: mechaniczne ślizgowe  
Węgiel/SiC/EPDM  
(SiC/SiC/EPDM w opcjach)

## DANE TECHNICZNE

- Asynchroniczne silniki 2- i 4-biegunowe
- Klasa izolacji F
- Stopień ochrony IP54
- Zasilanie; 3~230V/400V ± 10%, 50Hz do 5,5 kW;  
3~400/690V ± 10% 50Hz powyżej 5,5 kW
- Zabezpieczenie silnika w gestii użytkownika
- Króciec ssący/tłoczny: PN 10

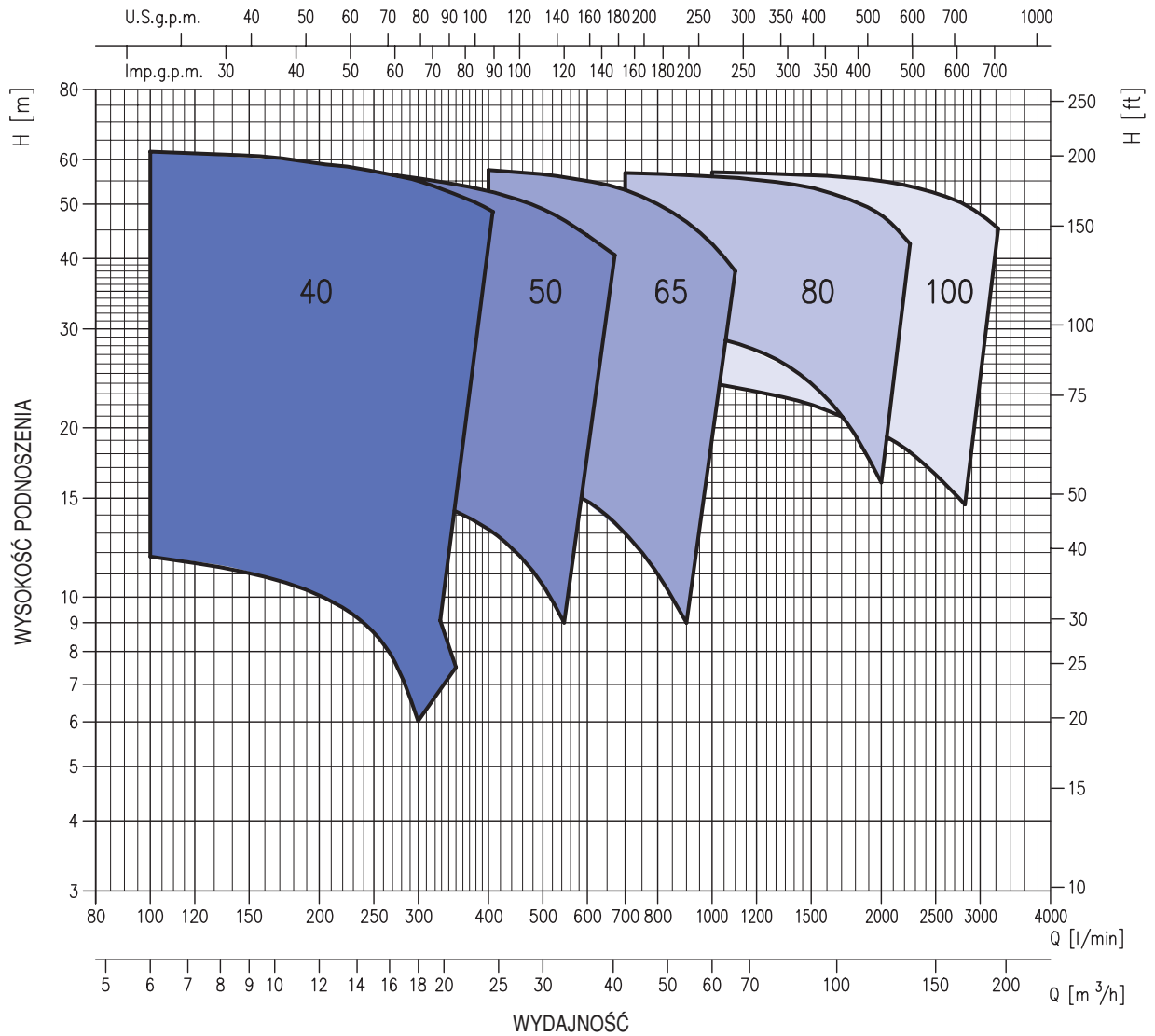


# LPC-LPC4, LPCD-LPCD4

POMPY OBIEGOWE „IN-LINE” z żeliwa

## ZAKRES STOSOWANIA seria LPC

2 bieguny



R.P.M. 2900 min<sup>-1</sup>  
 Dla czystej wody 20°C  
 Wg: ISO 9906 Aneks A



# LPC-LPC4, LPCD-LPCD4

POMPY OBIEGOWE „IN-LINE” z żeliwa

TABELA WYDAJNOŚCI LPC 40-50-65-80-100

2 bieguny

| Typ pompy        | Moc  |      | Wydajność = Q |                            |      |      |      |      |      |      |      |      |      |      |      |      |      |      |      |      |      |      |      |      |      |      |      |      |      |     |   |   |   |   |   |   |   |
|------------------|------|------|---------------|----------------------------|------|------|------|------|------|------|------|------|------|------|------|------|------|------|------|------|------|------|------|------|------|------|------|------|------|-----|---|---|---|---|---|---|---|
|                  | kW   | HP   | m³/h          | H=Wysokość podnoszenia (m) |      |      |      |      |      |      |      |      |      |      |      |      |      |      |      |      |      |      |      |      |      |      |      |      |      |     |   |   |   |   |   |   |   |
|                  |      |      | 0             | 6                          | 7.5  | 9    | 10.5 | 12   | 13.5 | 15   | 18   | 21   | 24   | 27   | 30   | 36   | 42   | 48   | 54   | 60   | 66   | 75   | 90   | 105  | 120  | 135  | 150  | 165  | 180  | 210 |   |   |   |   |   |   |   |
| LPC 40-100/0,55  | 0.55 | 0.75 | 12.2          | 11.7                       | 11.4 | 11   | 10.5 | 9.9  | 9.3  | 8.5  | 7    | -    | -    | -    | -    | -    | -    | -    | -    | -    | -    | -    | -    | -    | -    | -    | -    | -    | -    | -   | - | - | - | - | - | - |   |
| LPC 40-100/0,75  | 0.75 | 1.0  | 14            | 13.5                       | 13.3 | 13   | 12.5 | 12   | 11.4 | 10.7 | 9    | 7    | -    | -    | -    | -    | -    | -    | -    | -    | -    | -    | -    | -    | -    | -    | -    | -    | -    | -   | - | - | - | - | - | - | - |
| LPC 40-125/0,75  | 0.75 | 1.0  | 16.9          | 15.3                       | 14.5 | 13.7 | 12.8 | 11.5 | 10.4 | 9    | 6    | -    | -    | -    | -    | -    | -    | -    | -    | -    | -    | -    | -    | -    | -    | -    | -    | -    | -    | -   | - | - | - | - | - | - | - |
| LPC 40-125/1,1   | 1.1  | 1.5  | 21.5          | 20.5                       | 19.7 | 19   | 18.1 | 17.1 | 15.9 | 14.5 | 11.2 | 7.5  | -    | -    | -    | -    | -    | -    | -    | -    | -    | -    | -    | -    | -    | -    | -    | -    | -    | -   | - | - | - | - | - | - | - |
| LPC 40-125/1,5   | 1.5  | 2    | 25            | 24.5                       | 24.1 | 23.5 | 22.9 | 22   | 20.8 | 19.5 | 16.5 | 13   | -    | -    | -    | -    | -    | -    | -    | -    | -    | -    | -    | -    | -    | -    | -    | -    | -    | -   | - | - | - | - | - | - | - |
| LPC 40-160/2,2   | 2.2  | 3    | 29            | 28.5                       | 28   | 27.4 | 26.5 | 25.5 | 24.4 | 23.1 | 20   | 15   | -    | -    | -    | -    | -    | -    | -    | -    | -    | -    | -    | -    | -    | -    | -    | -    | -    | -   | - | - | - | - | - | - | - |
| LPC 40-160/3     | 3    | 4    | 34.5          | 33.5                       | 33   | 32.5 | 31.8 | 31   | 30   | 29   | 26   | 22.5 | -    | -    | -    | -    | -    | -    | -    | -    | -    | -    | -    | -    | -    | -    | -    | -    | -    | -   | - | - | - | - | - | - | - |
| LPC 40-160/4     | 4    | 5.5  | 38.5          | 38                         | 37.5 | 36.8 | 36   | 35   | 33.8 | 32.6 | 29.9 | 26.5 | -    | -    | -    | -    | -    | -    | -    | -    | -    | -    | -    | -    | -    | -    | -    | -    | -    | -   | - | - | - | - | - | - | - |
| LPC 40-200/4     | 4    | 5.5  | 47.5          | 47                         | 46.  | 46   | 45   | 44   | 43   | 42   | 39.2 | 36.1 | 33   | -    | -    | -    | -    | -    | -    | -    | -    | -    | -    | -    | -    | -    | -    | -    | -    | -   | - | - | - | - | - | - | - |
| LPC 40-200/5,5   | 5.5  | 7.5  | 55.5          | 55                         | 54.5 | 54.1 | 53.6 | 53   | 52   | 51   | 48.4 | 45.8 | 42.5 | -    | -    | -    | -    | -    | -    | -    | -    | -    | -    | -    | -    | -    | -    | -    | -    | -   | - | - | - | - | - | - | - |
| LPC 40-200/6,3   | 6.3  | 8.5  | 62.5          | 62                         | 61.5 | 61   | 60.2 | 59   | 58.3 | 57.2 | 55   | 52   | 49   | 45   | -    | -    | -    | -    | -    | -    | -    | -    | -    | -    | -    | -    | -    | -    | -    | -   | - | - | - | - | - | - | - |
| LPC 50-125/1,5   | 1.5  | 2    | 16.8          | -                          | -    | -    | -    | 16   | 15.7 | 15.5 | 15   | 14.2 | 13.2 | 11.9 | 10.5 | 7    | -    | -    | -    | -    | -    | -    | -    | -    | -    | -    | -    | -    | -    | -   | - | - | - | - | - | - | - |
| LPC 50-125/2,2   | 2.2  | 3    | 20            | -                          | -    | -    | -    | 19.5 | 19.3 | 19.1 | 18.5 | 17.5 | 16.6 | 15.5 | 14.1 | 10.5 | -    | -    | -    | -    | -    | -    | -    | -    | -    | -    | -    | -    | -    | -   | - | - | - | - | - | - | - |
| LPC 50-125/3     | 3    | 4    | 25            | -                          | -    | -    | -    | 24.7 | 24.6 | 24.5 | 24.2 | 23.7 | 23   | 21.8 | 20.5 | 17   | -    | -    | -    | -    | -    | -    | -    | -    | -    | -    | -    | -    | -    | -   | - | - | - | - | - | - | - |
| LPC 50-160/3     | 3    | 4    | 31            | -                          | -    | -    | -    | 30.5 | 30.2 | 29.9 | 29   | 27.8 | 26.5 | 24.9 | 23   | 18   | -    | -    | -    | -    | -    | -    | -    | -    | -    | -    | -    | -    | -    | -   | - | - | - | - | - | - | - |
| LPC 50-160/4     | 4    | 5.5  | 38            | -                          | -    | -    | -    | 37   | 36.8 | 36.5 | 35.5 | 34.6 | 33.5 | 32.2 | 30.7 | 26.5 | -    | -    | -    | -    | -    | -    | -    | -    | -    | -    | -    | -    | -    | -   | - | - | - | - | - | - | - |
| LPC 50-200/5,5   | 5.5  | 7.5  | 46.8          | -                          | -    | -    | -    | 46   | 45.7 | 45.2 | 44.2 | 42.9 | 41   | 39.2 | 37   | 31   | -    | -    | -    | -    | -    | -    | -    | -    | -    | -    | -    | -    | -    | -   | - | - | - | - | - | - | - |
| LPC 50-200/6,3   | 6.3  | 8.5  | 51.7          | -                          | -    | -    | -    | 51.2 | 51   | 50.8 | 50   | 48.7 | 47   | 45   | 42.6 | 37   | -    | -    | -    | -    | -    | -    | -    | -    | -    | -    | -    | -    | -    | -   | - | - | - | - | - | - | - |
| LPC 50-200/7,5   | 7.5  | 10   | 58.5          | -                          | -    | -    | -    | 57.5 | 57.2 | 56.8 | 55.6 | 54.2 | 52.8 | 51   | 49   | 44   | -    | -    | -    | -    | -    | -    | -    | -    | -    | -    | -    | -    | -    | -   | - | - | - | - | - | - | - |
| LPC 65-125/2,2   | 2.2  | 3    | 18.5          | -                          | -    | -    | -    | -    | -    | -    | -    | 17.5 | 17   | 16.5 | 16   | 14.8 | 13   | 11   | 9    | -    | -    | -    | -    | -    | -    | -    | -    | -    | -    | -   | - | - | - | - | - | - | - |
| LPC 65-125/3     | 3    | 4    | 22.5          | -                          | -    | -    | -    | -    | -    | -    | -    | -    | 21   | 20.6 | 20.1 | 19   | 17.6 | 16   | 14   | 12   | -    | -    | -    | -    | -    | -    | -    | -    | -    | -   | - | - | - | - | - | - | - |
| LPC 65-125/4     | 4    | 5.5  | 26.3          | -                          | -    | -    | -    | -    | -    | -    | -    | -    | 25.5 | 25.2 | 24.8 | 24   | 22.9 | 21.5 | 19.6 | 17.5 | -    | -    | -    | -    | -    | -    | -    | -    | -    | -   | - | - | - | - | - | - | - |
| LPC 65-160/5,5   | 5.5  | 7.5  | 33            | -                          | -    | -    | -    | -    | -    | -    | -    | -    | 32.3 | 32   | 31.5 | 30.8 | 29.5 | 28   | 25.8 | 23.5 | -    | -    | -    | -    | -    | -    | -    | -    | -    | -   | - | - | - | - | - | - | - |
| LPC 65-160/7,5   | 7.5  | 10   | 37            | -                          | -    | -    | -    | -    | -    | -    | -    | -    | 36.7 | 36.4 | 36   | 35.2 | 34.1 | 32.8 | 31   | 28.8 | 26   | -    | -    | -    | -    | -    | -    | -    | -    | -   | - | - | - | - | - | - | - |
| LPC 65-200/10    | 10   | 13.6 | 52            | -                          | -    | -    | -    | -    | -    | -    | -    | -    | 51   | 50   | 49.2 | 48   | 45.5 | 43   | 39.7 | 36   | 31.5 | -    | -    | -    | -    | -    | -    | -    | -    | -   | - | - | - | - | - | - | - |
| LPC 65-200/12,5  | 12.5 | 17   | 58.5          | -                          | -    | -    | -    | -    | -    | -    | -    | -    | 57.5 | 57   | 56.5 | 55   | 53   | 50   | 46.5 | 42.5 | 38   | -    | -    | -    | -    | -    | -    | -    | -    | -   | - | - | - | - | - | - | - |
| LPC 80-160/10    | 10   | 13.6 | 31            | -                          | -    | -    | -    | -    | -    | -    | -    | -    | -    | -    | -    | -    | 30.5 | 30   | 29.5 | 29   | 28.3 | 27   | 24   | 20.2 | 16   | -    | -    | -    | -    | -   | - | - | - | - | - | - | - |
| LPC 80-160/12,5  | 12.5 | 17   | 37            | -                          | -    | -    | -    | -    | -    | -    | -    | -    | -    | -    | -    | -    | 36   | 35.5 | 35   | 34.5 | 34   | 32.8 | 30   | 27   | 23   | 19   | -    | -    | -    | -   | - | - | - | - | - | - | - |
| LPC 80-160/15    | 15   | 20   | 42            | -                          | -    | -    | -    | -    | -    | -    | -    | -    | -    | -    | -    | -    | 41   | 40.5 | 39.9 | 39.2 | 38.6 | 37.5 | 35.5 | 32.5 | 29   | 24   | -    | -    | -    | -   | - | - | - | - | - | - |   |
| LPC 80-200/15    | 15   | 20   | 44.2          | -                          | -    | -    | -    | -    | -    | -    | -    | -    | -    | -    | -    | -    | 44   | 43.8 | 43.4 | 43   | 42.5 | 41.5 | 39   | 35.5 | 31.5 | -    | -    | -    | -    | -   | - | - | - | - | - | - | - |
| LPC 80-200/18,5  | 18.5 | 25   | 51            | -                          | -    | -    | -    | -    | -    | -    | -    | -    | -    | -    | -    | -    | 50.5 | 50.1 | 49.9 | 49.5 | 49   | 48.3 | 46.3 | 43.2 | 39.5 | 35   | -    | -    | -    | -   | - | - | - | - | - | - | - |
| LPC 80-200/22    | 22   | 30   | 57.2          | -                          | -    | -    | -    | -    | -    | -    | -    | -    | -    | -    | -    | -    | 56.8 | 56.6 | 56.3 | 56   | 55.7 | 55   | 53.5 | 51   | 47.8 | 42.5 | -    | -    | -    | -   | - | - | - | - | - | - | - |
| LPC 100-160/10   | 10   | 13.6 | 24.8          | -                          | -    | -    | -    | -    | -    | -    | -    | -    | -    | -    | -    | -    | -    | -    | -    | 24   | 23.6 | 23   | 22   | 20.7 | 19.5 | 18.1 | 16.5 | 15   | -    | -   | - | - | - | - | - | - | - |
| LPC 100-160/12,5 | 12.5 | 17   | 29.5          | -                          | -    | -    | -    | -    | -    | -    | -    | -    | -    | -    | -    | -    | -    | -    | -    | 28.5 | 28.2 | 27.9 | 27   | 25.8 | 24.5 | 23   | 21.5 | 20   | 18.5 | -   | - | - | - | - | - | - | - |
| LPC 100-160/15   | 15   | 20   | 35            | -                          | -    | -    | -    | -    | -    | -    | -    | -    | -    | -    | -    | -    | -    | -    | -    | 34   | 33.8 | 33.3 | 32.5 | 31.7 | 30.5 | 29.2 | 27.6 | 26   | 24.5 | -   | - | - | - | - | - | - | - |
| LPC 100-200/18,5 | 18.5 | 25   | 42.3          | -                          | -    | -    | -    | -    | -    | -    | -    | -    | -    | -    | -    | -    | -    | -    | -    | 41.8 | 41.5 | 41   | 40   | 38.6 | 37   | 35   | 33   | 30.5 | 28   | -   | - | - | - | - | - | - | - |
| LPC 100-200/22   | 22   | 30   | 47.3          | -                          | -    | -    | -    | -    | -    | -    | -    | -    | -    | -    | -    | -    | -    | -    | -    | 47   | 46.7 | 46.3 | 45.5 | 44.4 | 43   | 41.2 | 39   | 36.7 | 34   | -   | - | - | - | - | - | - | - |
| LPC 100-200/30   | 30   | 40   | 55.5          | -                          | -    | -    | -    | -    | -    | -    | -    | -    | -    | -    | -    | -    | -    | -    | -    | -    | -    | 54   | 53   | 52   | 50.5 | 49   | 47   | 45   | 42.5 | 37  | - | - | - | - | - | - | - |
| LPC 100-200/37   | 37   | 55   | 57.2          | -                          | -    | -    | -    | -    | -    | -    | -    | -    | -    | -    | -    | -    | -    | -    | -    | -    | -    | 56.7 | 56.3 | 55.8 | 55   | 53.8 | 52.3 | 50.5 | 48   | 42  | - | - | - | - | - | - | - |
| LPC 100-250/37   | 37   | 55   | 68.5          | -                          | -    | -    | -    | -    | -    | -    | -    | -    | -    | -    | -    | -    | -    | -    | -    | -    | -    | 67.5 | 67   | 66.2 | 65   | 63.3 | 61   | 58.2 | 55   | 47  | - | - | - | - | - | - | - |

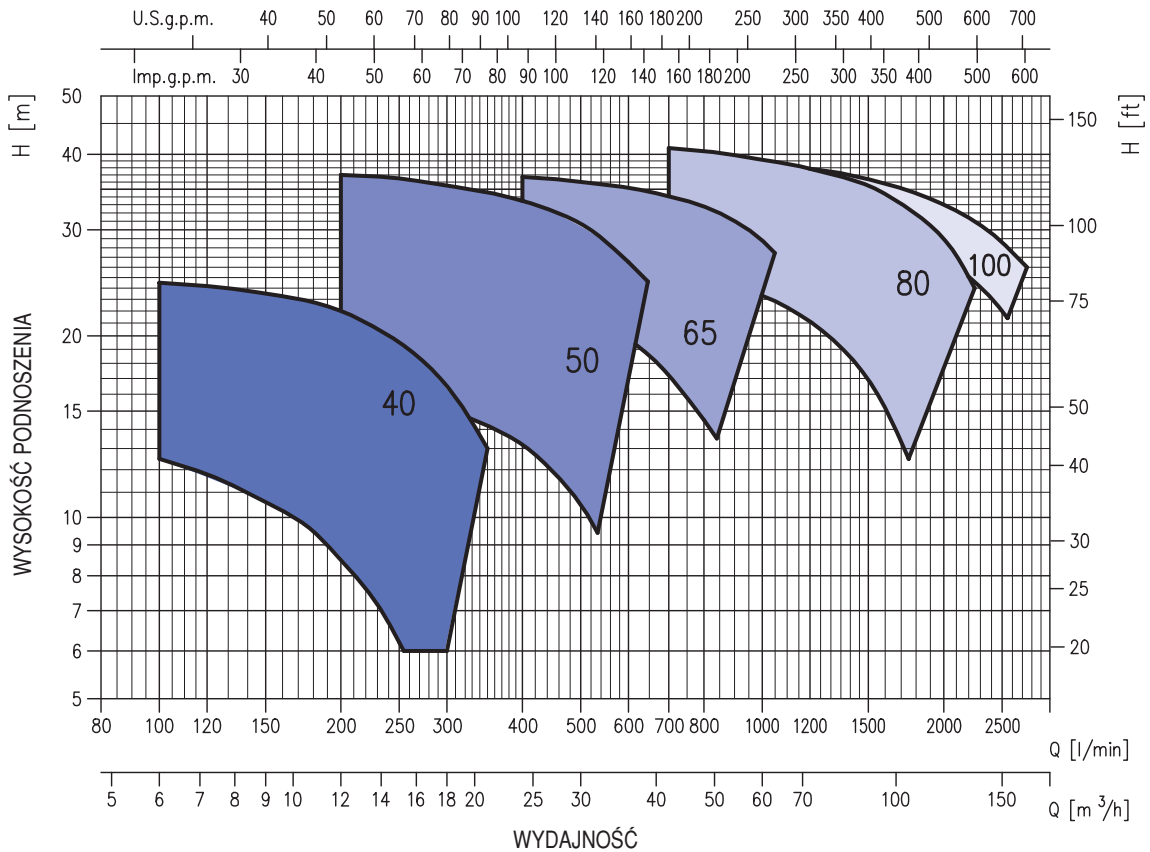


# LPC-LPC4, LPCD-LPCD4

POMPY OBIEGOWE „IN-LINE” z żeliwa

## ZAKRES STOSOWANIA seria LPCD

2 bieguny



R.P.M. 2900 min<sup>-1</sup>  
 Dla czystej wody 20°C  
 Wg: ISO 9906 Aneks A



# LPC-LPC4, LPCD-LPCD4

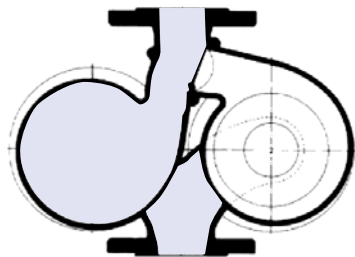
POMPY OBIEGOWE „IN-LINE” z żeliwa

TABELA WYDAJNOŚCI LPC 40-50-65-80-100

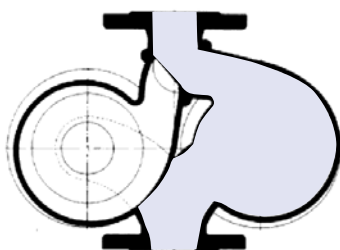
2 bieguny

| Typ pompy         | Moc  |      | Wydajność = Q     |                            |      |      |      |      |      |      |      |      |      |      |      |      |      |      |      |      |      |      |      |      |     |      |      |     |     |  |
|-------------------|------|------|-------------------|----------------------------|------|------|------|------|------|------|------|------|------|------|------|------|------|------|------|------|------|------|------|------|-----|------|------|-----|-----|--|
|                   | kW   | HP   | m <sup>3</sup> /h | H=Wysokość podnoszenia (m) |      |      |      |      |      |      |      |      |      |      |      |      |      |      |      |      |      |      |      |      |     |      |      |     |     |  |
|                   |      |      | l/min             | 0                          | 6    | 7.5  | 9    | 10.5 | 12   | 13.5 | 15   | 18   | 21   | 24   | 27   | 30   | 36   | 42   | 48   | 54   | 60   | 66   | 75   | 90   | 105 | 120  | 135  | 150 | 165 |  |
| LPCD 40-125/0,55  | 0.55 | 0.75 | 14.2              | 12.5                       | 11.6 | 10.6 | 9.7  | 8.5  | 7.4  | 6.2  | -    | -    | -    | -    | -    | -    | -    | -    | -    | -    | -    | -    | -    | -    | -   | -    | -    | -   | -   |  |
| LPCD 40-125/0,75  | 0.75 | 1.0  | 16.9              | 15.3                       | 14.5 | 13.7 | 12.8 | 11.5 | 10.4 | 9    | 6    | -    | -    | -    | -    | -    | -    | -    | -    | -    | -    | -    | -    | -    | -   | -    | -    | -   | -   |  |
| LPCD 40-125/1,1   | 1.1  | 1.5  | 21.5              | 20.5                       | 19.7 | 19   | 18.1 | 17.1 | 15.9 | 14.5 | 11.2 | 7.5  | -    | -    | -    | -    | -    | -    | -    | -    | -    | -    | -    | -    | -   | -    | -    | -   | -   |  |
| LPCD 40-125/1,5   | 1.5  | 2    | 25                | 24.5                       | 24.1 | 23.5 | 22.9 | 22   | 20.8 | 19.5 | 16.5 | 13   | -    | -    | -    | -    | -    | -    | -    | -    | -    | -    | -    | -    | -   | -    | -    | -   |     |  |
| LPCD 50-125/1,5   | 1.5  | 2    | 16.8              | -                          | -    | -    | -    | 16   | 15.7 | 15.5 | 15   | 14.2 | 13.2 | 11.9 | 10.5 | 7    | -    | -    | -    | -    | -    | -    | -    | -    | -   | -    | -    | -   |     |  |
| LPCD 50-125/2,2   | 2.2  | 3    | 20                | -                          | -    | -    | -    | 19.5 | 19.3 | 19.1 | 18.5 | 17.5 | 16.6 | 15.5 | 14.1 | 10.5 | -    | -    | -    | -    | -    | -    | -    | -    | -   | -    | -    | -   |     |  |
| LPCD 50-125/3     | 3    | 4    | 25                | -                          | -    | -    | -    | 24.7 | 24.6 | 24.5 | 24.2 | 23.7 | 23   | 21.8 | 20.5 | 17   | -    | -    | -    | -    | -    | -    | -    | -    | -   | -    | -    | -   |     |  |
| LPCD 50-160/3     | 3    | 4    | 31                | -                          | -    | -    | -    | 30.5 | 30.2 | 29.9 | 29   | 27.8 | 26.5 | 24.9 | 23   | 18   | -    | -    | -    | -    | -    | -    | -    | -    | -   | -    | -    | -   |     |  |
| LPCD 50-160/4     | 4    | 5.5  | 38                | -                          | -    | -    | -    | 37   | 36.8 | 36.5 | 35.5 | 34.6 | 33.5 | 32.2 | 30.7 | 26.5 | -    | -    | -    | -    | -    | -    | -    | -    | -   | -    | -    | -   |     |  |
| LPCD 65-160/3     | 3    | 4    | 24                | -                          | -    | -    | -    | -    | -    | -    | -    | 23   | 22.5 | 22   | 21.3 | 19.7 | 17.2 | 14.5 | -    | -    | -    | -    | -    | -    | -   | -    | -    | -   |     |  |
| LPCD 65-160/4     | 4    | 5.5  | 27.5              | -                          | -    | -    | -    | -    | -    | -    | -    | 27   | 26.6 | 26   | 25.5 | 24.2 | 22.5 | 20.2 | 16.8 | -    | -    | -    | -    | -    | -   | -    | -    | -   |     |  |
| LPCD 65-160/5,5   | 5.5  | 7.5  | 33                | -                          | -    | -    | -    | -    | -    | -    | -    | -    | 32.3 | 32   | 31.5 | 30.8 | 29.5 | 28   | 25.8 | 23.5 | -    | -    | -    | -    | -   | -    | -    | -   |     |  |
| LPCD 65-160/7,5   | 7.5  | 10   | 37                | -                          | -    | -    | -    | -    | -    | -    | -    | -    | 36.7 | 36.4 | 36   | 35.2 | 34.1 | 32.8 | 31   | 28.8 | 26   | -    | -    | -    | -   | -    | -    | -   |     |  |
| LPCD 80-160/7,5   | 7.5  | 10   | 26.2              | -                          | -    | -    | -    | -    | -    | -    | -    | -    | -    | -    | -    | 25.5 | 25.2 | 24.7 | 24   | 23.3 | 22.3 | 20.5 | 16.9 | 12.5 | -   | -    | -    | -   |     |  |
| LPCD 80-160/10    | 10   | 13.6 | 31                | -                          | -    | -    | -    | -    | -    | -    | -    | -    | -    | -    | -    | -    | 30.5 | 30   | 29.5 | 29   | 28.3 | 27   | 24   | 20.2 | 16  | -    | -    | -   |     |  |
| LPCD 80-160/12,5  | 12.5 | 17   | 37                | -                          | -    | -    | -    | -    | -    | -    | -    | -    | -    | -    | -    | -    | 36   | 35.5 | 35   | 34.5 | 34   | 32.8 | 30   | 27   | 23  | 19   | -    | -   |     |  |
| LPCD 80-160/15    | 15   | 20   | 42                | -                          | -    | -    | -    | -    | -    | -    | -    | -    | -    | -    | -    | -    | 41   | 40.5 | 39.9 | 39.2 | 38.6 | 37.5 | 35.5 | 32.5 | 29  | 24   | -    | -   |     |  |
| LPCD 100-200/12,5 | 12.5 | 17   | 34                | -                          | -    | -    | -    | -    | -    | -    | -    | -    | -    | -    | -    | -    | -    | -    | -    | 33   | 32.7 | 32   | 30.7 | 29   | 27  | 24.6 | 22   | 19  |     |  |
| LPCD 100-200/15   | 15   | 20   | 39                | -                          | -    | -    | -    | -    | -    | -    | -    | -    | -    | -    | -    | -    | -    | -    | -    | 38.5 | 38.2 | 37.7 | 36.4 | 34.8 | 33  | 31   | 28.6 | 26  |     |  |

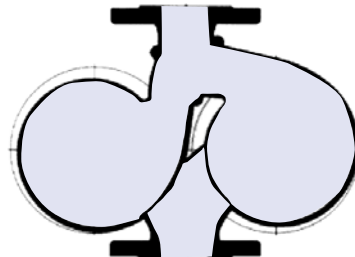
## Automatyczne działanie zaworu zwrotnego



Praca pompy nr 1



Praca pompy nr 2



Praca równoległa pomp

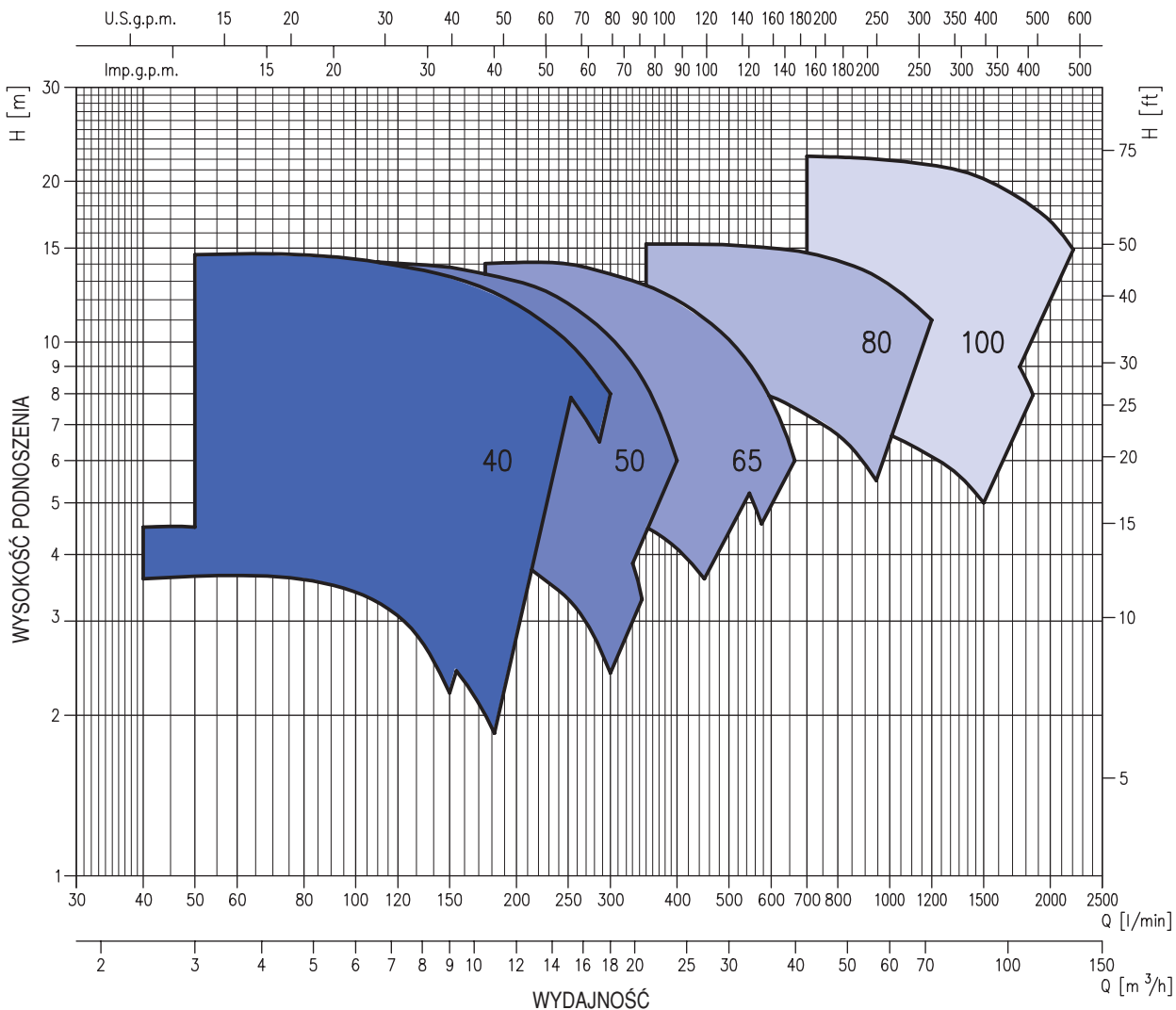


# LPC-LPC4, LPCD-LPCD4

POMPY OBIEGOWE „IN-LINE” z żeliwa

ZAKRES STOSOWANIA seria LPC4

4 bieguny



R.P.M. 1450 min<sup>-1</sup>  
 Dla czystej wody 20°C  
 Wg: ISO 9906 Aneks A



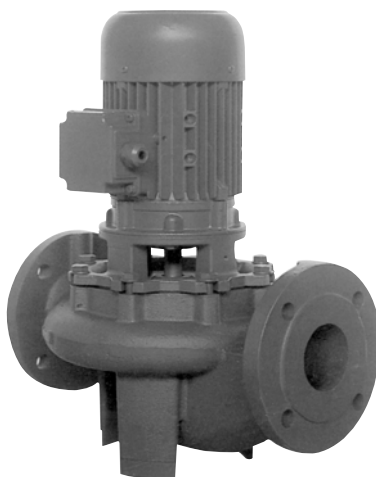
# LPC-LPC4, LPCD-LPCD4

POMPY OBIEGOWE „IN-LINE” z żeliwa

TABELA WYDAJNOŚCI LPC 40-50-65-80-100

4 bieguny

| Typ pompy          | Moc  |      | Q=Wydajność       |                            |      |      |      |      |      |      |      |      |      |      |      |      |      |      |      |      |      |      |      |      |      |      |      |      |     |     |   |   |   |   |   |   |   |   |   |
|--------------------|------|------|-------------------|----------------------------|------|------|------|------|------|------|------|------|------|------|------|------|------|------|------|------|------|------|------|------|------|------|------|------|-----|-----|---|---|---|---|---|---|---|---|---|
|                    | kW   | HP   | m <sup>3</sup> /h | H=Wysokość podnoszenia (m) |      |      |      |      |      |      |      |      |      |      |      |      |      |      |      |      |      |      |      |      |      |      |      |      |     |     |   |   |   |   |   |   |   |   |   |
|                    |      |      | 0                 | 2.4                        | 3    | 4.5  | 6    | 7.5  | 9    | 10.5 | 12   | 13.5 | 15   | 18   | 21   | 24   | 27   | 30   | 36   | 42   | 48   | 54   | 60   | 66   | 72   | 78   | 90   | 105  | 120 | 135 |   |   |   |   |   |   |   |   |   |
| LPC4 40-100/0.25   | 0.25 | 0.33 | 3.7               | 3.6                        | 3.55 | 3.5  | 3.3  | 2.9  | 2.5  | 2    | 1.5  | -    | -    | -    | -    | -    | -    | -    | -    | -    | -    | -    | -    | -    | -    | -    | -    | -    | -   | -   | - | - | - | - | - |   |   |   |   |
| LPC4 40-125/0.25 R | 0.25 | 0.33 | 4.8               | 4.5                        | 4.4  | 4.1  | 3.7  | 3    | 2.2  | -    | -    | -    | -    | -    | -    | -    | -    | -    | -    | -    | -    | -    | -    | -    | -    | -    | -    | -    | -   | -   | - | - | - | - | - | - |   |   |   |
| LPC44 40-125/0.25  | 0.25 | 0.33 | 6.3               | -                          | 6.2  | 6    | 5.7  | 5.2  | 4.5  | 3.9  | 2.8  | -    | -    | -    | -    | -    | -    | -    | -    | -    | -    | -    | -    | -    | -    | -    | -    | -    | -   | -   | - | - | - | - | - | - |   |   |   |
| LPC4 40-160/0.37   | 0.37 | 0.55 | 9.6               | -                          | 9.4  | 9.2  | 8.9  | 8.4  | 7.7  | 6.9  | 5.8  | 4.7  | -    | -    | -    | -    | -    | -    | -    | -    | -    | -    | -    | -    | -    | -    | -    | -    | -   | -   | - | - | - | - | - | - |   |   |   |
| LPC4 40-200/0.75   | 0.75 | 1.0  | 13.5              | -                          | -    | 12.8 | 12.4 | 11.9 | 11.3 | 10.6 | 9.8  | 9    | 8    | 6    | -    | -    | -    | -    | -    | -    | -    | -    | -    | -    | -    | -    | -    | -    | -   | -   | - | - | - | - | - | - | - |   |   |
| LPC4 40-200/0.92   | 0.92 | 1.25 | 15                | -                          | -    | 14.6 | 14.3 | 13.8 | 13.3 | 12.7 | 11.8 | 10.9 | 10   | 8    | -    | -    | -    | -    | -    | -    | -    | -    | -    | -    | -    | -    | -    | -    | -   | -   | - | - | - | - | - | - | - |   |   |
| LPC4 50-125/0.25   | 0.25 | 0.33 | 4.8               | -                          | -    | -    | 4.6  | 4.5  | 4.3  | 4.1  | 3.9  | 3.6  | 3.3  | 2.4  | -    | -    | -    | -    | -    | -    | -    | -    | -    | -    | -    | -    | -    | -    | -   | -   | - | - | - | - | - | - | - |   |   |
| LPC4 50-125/0.37   | 0.37 | 0.55 | 6.4               | -                          | -    | -    | 6.3  | 6.2  | 6.1  | 6    | 5.8  | 5.6  | 5.3  | 4.6  | 3    | -    | -    | -    | -    | -    | -    | -    | -    | -    | -    | -    | -    | -    | -   | -   | - | - | - | - | - | - | - |   |   |
| LPC4 50-160/0.55   | 0.55 | 0.75 | 9.2               | -                          | -    | -    | 8.8  | 8.6  | 8.4  | 8.1  | 7.7  | 7.3  | 6.8  | 5.8  | 4.4  | -    | -    | -    | -    | -    | -    | -    | -    | -    | -    | -    | -    | -    | -   | -   | - | - | - | - | - | - | - |   |   |
| LPC4 50-200/1.1 R  | 1.1  | 1.5  | 12.9              | -                          | -    | -    | 12.7 | 12.5 | 12.1 | 11.7 | 11.2 | 10.7 | 10.1 | 8.5  | 6.8  | -    | -    | -    | -    | -    | -    | -    | -    | -    | -    | -    | -    | -    | -   | -   | - | - | - | - | - | - | - | - |   |
| LPC4 50-200/1.1    | 1.1  | 1.5  | 14.5              | -                          | -    | -    | 14.2 | 14   | 13.8 | 13.4 | 13   | 12.5 | 11.8 | 10.2 | 8.3  | 6    | -    | -    | -    | -    | -    | -    | -    | -    | -    | -    | -    | -    | -   | -   | - | - | - | - | - | - | - | - |   |
| LPC4 65-125/0.37   | 0.37 | 0.55 | 5.4               | -                          | -    | -    | -    | 5.3  | 5.25 | 5.2  | 5.1  | 5    | 4.8  | 4.5  | 4.1  | 3.6  | -    | -    | -    | -    | -    | -    | -    | -    | -    | -    | -    | -    | -   | -   | - | - | - | - | - | - | - | - |   |
| LPC4 65-125/0.55   | 0.55 | 0.75 | 6.5               | -                          | -    | -    | -    | 6.4  | 6.3  | 6.2  | 6.1  | 6    | 5.8  | 5.5  | 5.2  | 4.9  | 4.4  | -    | -    | -    | -    | -    | -    | -    | -    | -    | -    | -    | -   | -   | - | - | - | - | - | - | - | - |   |
| LPC4 65-160/0.75   | 0.75 | 1.0  | 8.3               | -                          | -    | -    | -    | -    | -    | 8.1  | 8    | 7.9  | 7.8  | 7.4  | 7    | 6.6  | 6    | 4    | -    | -    | -    | -    | -    | -    | -    | -    | -    | -    | -   | -   | - | - | - | - | - | - | - | - |   |
| LPC4 65-160/0.92   | 0.92 | 1.25 | 9.1               | -                          | -    | -    | -    | -    | -    | 9    | 8.9  | 8.8  | 8.7  | 8.4  | 8.1  | 7.7  | 7.2  | 5.5  | -    | -    | -    | -    | -    | -    | -    | -    | -    | -    | -   | -   | - | - | - | - | - | - | - | - |   |
| LPC4 65-200/1.1    | 1.1  | 1.5  | 12.6              | -                          | -    | -    | -    | -    | -    | 12.3 | 12.2 | 12   | 11.5 | 10.8 | 10   | 9    | 8    | 5.8  | -    | -    | -    | -    | -    | -    | -    | -    | -    | -    | -   | -   | - | - | - | - | - | - | - | - | - |
| LPC4 65-200/1.5    | 1.5  | 2    | 14.3              | -                          | -    | -    | -    | -    | -    | 14.1 | 14.1 | 14   | 13.6 | 13   | 12.1 | 11.2 | 10.1 | 7.8  | 5    | -    | -    | -    | -    | -    | -    | -    | -    | -    | -   | -   | - | - | - | - | - | - | - | - | - |
| LPC4 80-160/0.75   | 0.75 | 1    | 6.4               | -                          | -    | -    | -    | -    | -    | -    | -    | -    | -    | 6.3  | 6.1  | 6    | 5.8  | 5.6  | 4.9  | 4    | 3.2  | 2.2  | -    | -    | -    | -    | -    | -    | -   | -   | - | - | - | - | - | - | - | - |   |
| LPC4 80-160/0.92   | 0.92 | 1.25 | 7.4               | -                          | -    | -    | -    | -    | -    | -    | -    | -    | -    | 7.3  | 7.2  | 7.1  | 7    | 6.8  | 6.3  | 5.6  | 4.8  | 3.8  | -    | -    | -    | -    | -    | -    | -   | -   | - | - | - | - | - | - | - | - | - |
| LPC4 80-160/1.1    | 1.1  | 1.5  | 8.6               | -                          | -    | -    | -    | -    | -    | -    | -    | -    | -    | 8.5  | 8.5  | 8.4  | 8.3  | 8.2  | 7.9  | 7.3  | 6.7  | 5.9  | 5    | -    | -    | -    | -    | -    | -   | -   | - | - | - | - | - | - | - | - | - |
| LPC4 80-160/1.5    | 1.5  | 2    | 10.3              | -                          | -    | -    | -    | -    | -    | -    | -    | -    | -    | 10.2 | 10.1 | 10   | 9.9  | 9.8  | 9.5  | 9    | 8.4  | 7.5  | 6.5  | -    | -    | -    | -    | -    | -   | -   | - | - | - | - | - | - | - | - | - |
| LPC4 80-200/2.2    | 2.2  | 3    | 12.6              | -                          | -    | -    | -    | -    | -    | -    | -    | -    | -    | -    | -    | -    | 12.5 | 12.4 | 12.3 | 12.1 | 11.7 | 11.1 | 10.4 | 9.6  | 8.5  | -    | -    | -    | -   | -   | - | - | - | - | - | - | - | - | - |
| LPC4 80-200/3      | 3    | 4    | 15.4              | -                          | -    | -    | -    | -    | -    | -    | -    | -    | -    | -    | -    | -    | 15.3 | 15.3 | 15.2 | 15   | 14.6 | 14.2 | 13.6 | 12.8 | 11.9 | 11   | -    | -    | -   | -   | - | - | - | - | - | - | - | - | - |
| LPC4 100-160/1.5   | 1.5  | 2    | 8                 | -                          | -    | -    | -    | -    | -    | -    | -    | -    | -    | -    | -    | -    | -    | 7.7  | 7.5  | 7.2  | 7    | 6.7  | 6.4  | 6.1  | 5.8  | 5    | -    | -    | -   | -   | - | - | - | - | - | - | - | - |   |
| LPC4 100-160/2.2   | 2.2  | 3    | 10                | -                          | -    | -    | -    | -    | -    | -    | -    | -    | -    | -    | -    | -    | -    | 9.7  | 9.5  | 9.4  | 9.1  | 8.8  | 8.5  | 8.2  | 7.9  | 7.1  | 6    | -    | -   | -   | - | - | - | - | - | - | - | - | - |
| LPC4 100-200/3     | 3    | 4    | 12.7              | -                          | -    | -    | -    | -    | -    | -    | -    | -    | -    | -    | -    | -    | -    | 12   | 11.8 | 11.5 | 11.3 | 10.9 | 10.5 | 10   | 9.5  | 8.5  | 7    | -    | -   | -   | - | - | - | - | - | - | - | - | - |
| LPC4 100-200/4     | 4    | 5.5  | 14.9              | -                          | -    | -    | -    | -    | -    | -    | -    | -    | -    | -    | -    | -    | -    | 14.3 | 14.2 | 14   | 13.8 | 13.4 | 13.1 | 12.7 | 12.2 | 11   | 9    | 6.5  | -   | -   | - | - | - | - | - | - | - | - | - |
| LPC4 100-250/5.5   | 5.5  | 7.5  | 20                | -                          | -    | -    | -    | -    | -    | -    | -    | -    | -    | -    | -    | -    | -    | -    | 19.2 | 18.9 | 18.5 | 18.1 | 17.7 | 17.2 | 16   | 14.5 | 12   | -    | -   | -   | - | - | - | - | - | - | - | - | - |
| LPC4 100-250/7.5   | 7.5  | 10   | 23.5              | -                          | -    | -    | -    | -    | -    | -    | -    | -    | -    | -    | -    | -    | -    | -    | 22.3 | 22.1 | 21.9 | 21.7 | 21.3 | 21   | 20   | 18.5 | 16.8 | 14.5 | -   | -   | - | - | - | - | - | - | - | - | - |



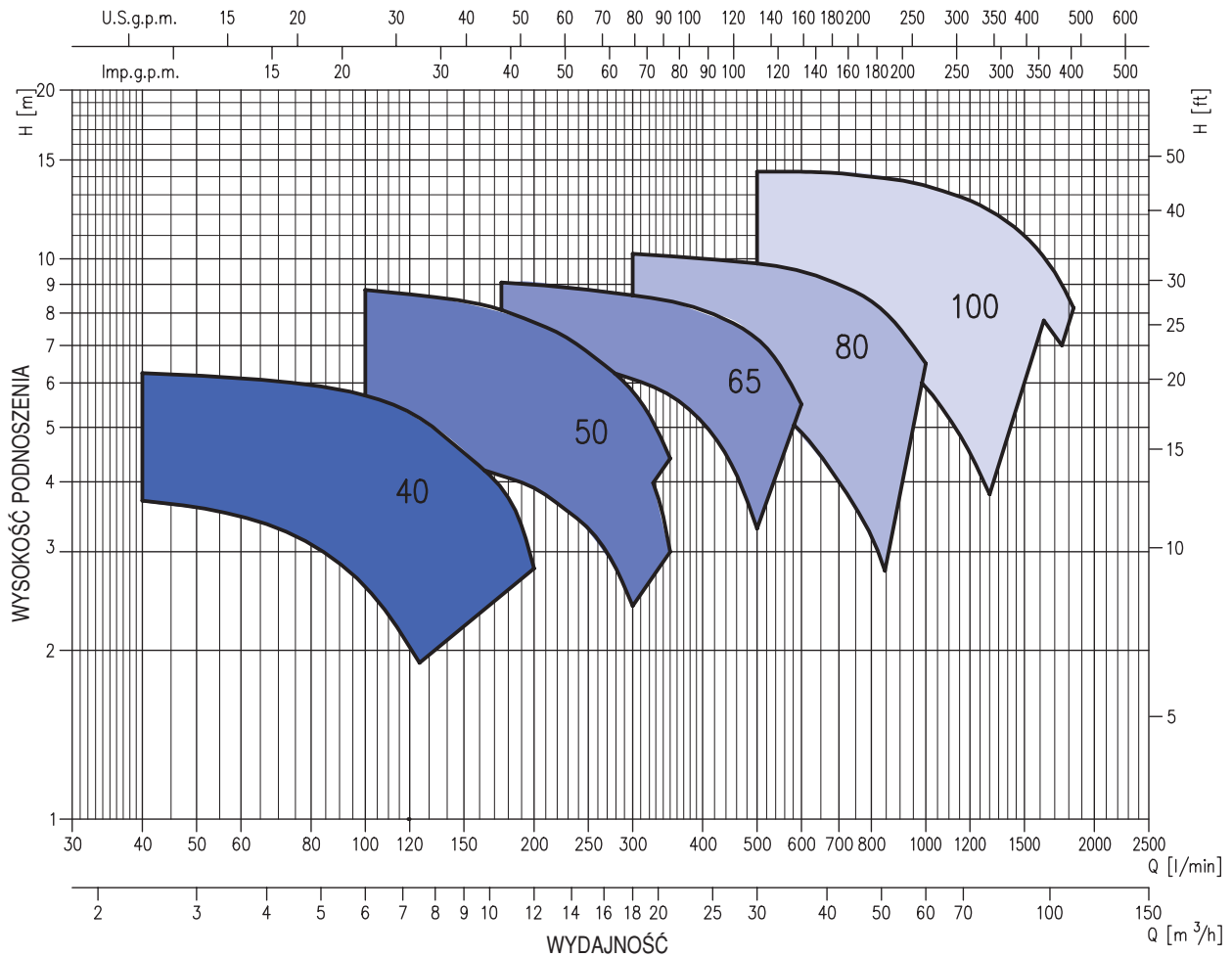


# LPC-LPC4, LPCD-LPCD4

POMPY OBIEGOWE „IN-LINE” z żeliwa

## ZAKRES STOSOWANIA seria LPCD4

4 bieguny



R.P.M. 1450 min<sup>-1</sup>  
 Dla czystej wody 20°C  
 Wg: ISO 9906 Aneks A





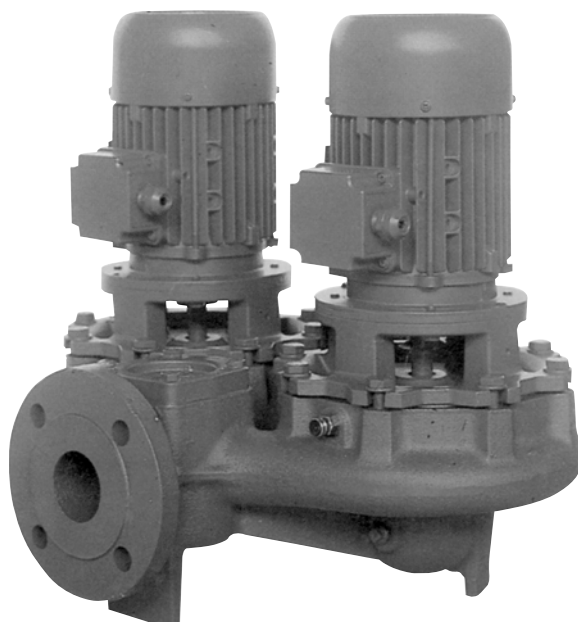
# LPC-LPC4, LPCD-LPCD4

POMPY OBIEGOWE „IN-LINE” z żeliwa

TABELA WYDAJNOŚCI LPCD4 40-50-65-80-100

4 bieguny

| Typ pompy           | Moc  |      | Q=Wydajność       |                            |     |     |     |     |     |      |     |      |     |      |      |     |     |      |      |      |      |      |      |      |      |      |     |     |     |   |   |   |   |   |   |   |
|---------------------|------|------|-------------------|----------------------------|-----|-----|-----|-----|-----|------|-----|------|-----|------|------|-----|-----|------|------|------|------|------|------|------|------|------|-----|-----|-----|---|---|---|---|---|---|---|
|                     | kW   | HP   | m <sup>3</sup> /h | H=Wysokość podnoszenia (m) |     |     |     |     |     |      |     |      |     |      |      |     |     |      |      |      |      |      |      |      |      |      |     |     |     |   |   |   |   |   |   |   |
|                     |      |      | 0                 | 2.4                        | 3   | 4.5 | 6   | 7.5 | 9   | 10.5 | 12  | 13.5 | 15  | 18   | 21   | 24  | 27  | 30   | 36   | 42   | 48   | 54   | 60   | 66   | 72   | 78   | 90  | 105 | 120 |   |   |   |   |   |   |   |
| LPCD4 40-100/0.25   | 0.25 | 0.33 | 4                 | 3.7                        | 3.6 | 3.1 | 2.6 | 1.9 | -   | -    | -   | -    | -   | -    | -    | -   | -   | -    | -    | -    | -    | -    | -    | -    | -    | -    | -   | -   | -   | - | - | - | - | - |   |   |
| LPCD4 40-125/0.25 R | 0.25 | 0.33 | 4.8               | 4.5                        | 4.4 | 4.1 | 3.7 | 3   | 2.2 | -    | -   | -    | -   | -    | -    | -   | -   | -    | -    | -    | -    | -    | -    | -    | -    | -    | -   | -   | -   | - | - | - | - | - |   |   |
| LPCD4 40-125/0.25   | 0.25 | 0.33 | 6.3               | -                          | 6.2 | 6   | 5.7 | 5.2 | 4.5 | 3.9  | 2.8 | -    | -   | -    | -    | -   | -   | -    | -    | -    | -    | -    | -    | -    | -    | -    | -   | -   | -   | - | - | - | - | - | - |   |
| LPCD4 50-125/0.25   | 0.25 | 0.33 | 4.8               | -                          | -   | -   | 4.6 | 4.5 | 4.3 | 4.1  | 3.9 | 3.6  | 3.3 | 2.4  | -    | -   | -   | -    | -    | -    | -    | -    | -    | -    | -    | -    | -   | -   | -   | - | - | - | - | - | - |   |
| LPCD4 50-125/0.37   | 0.37 | 0.55 | 6.4               | -                          | -   | -   | 6.3 | 6.2 | 6.1 | 6    | 5.8 | 5.6  | 5.3 | 4.6  | 3    | -   | -   | -    | -    | -    | -    | -    | -    | -    | -    | -    | -   | -   | -   | - | - | - | - | - | - | - |
| LPCD4 50-160/0.55   | 0.55 | 0.75 | 9.2               | -                          | -   | -   | 8.8 | 8.6 | 8.4 | 8.1  | 7.7 | 7.3  | 6.8 | 5.8  | 4.4  | -   | -   | -    | -    | -    | -    | -    | -    | -    | -    | -    | -   | -   | -   | - | - | - | - | - | - | - |
| LPCD4 65-160/0.55   | 0.55 | 0.75 | 6.9               | -                          | -   | -   | -   | -   | 6.8 | 6.7  | 6.6 | 6.5  | 6.4 | 6.1  | 5.7  | 5.1 | 4.3 | 3.3  | -    | -    | -    | -    | -    | -    | -    | -    | -   | -   | -   | - | - | - | - | - | - | - |
| LPCD4 65-160/0.75   | 0.75 | 1.0  | 8.3               | -                          | -   | -   | -   | -   | -   | 8.1  | 8   | 7.9  | 7.8 | 7.4  | 7    | 6.6 | 6   | 4    | -    | -    | -    | -    | -    | -    | -    | -    | -   | -   | -   | - | - | - | - | - | - | - |
| LPCD4 65-160/0.92   | 0.92 | 1.25 | 9.1               | -                          | -   | -   | -   | -   | -   | 9    | 8.9 | 8.8  | 8.7 | 8.4  | 8.1  | 7.7 | 7.2 | 5.5  | -    | -    | -    | -    | -    | -    | -    | -    | -   | -   | -   | - | - | - | - | - | - | - |
| LPCD4 80-160/0.75   | 0.75 | 1    | 6.4               | -                          | -   | -   | -   | -   | -   | -    | -   | -    | -   | 6.3  | 6.1  | 6   | 5.8 | 5.6  | 4.9  | 4    | 3.2  | 2.2  | -    | -    | -    | -    | -   | -   | -   | - | - | - | - | - | - | - |
| LPCD4 80-160/0.92   | 0.92 | 1.25 | 7.4               | -                          | -   | -   | -   | -   | -   | -    | -   | -    | -   | 7.3  | 7.2  | 7.1 | 7   | 6.8  | 6.3  | 5.6  | 4.8  | 3.8  | -    | -    | -    | -    | -   | -   | -   | - | - | - | - | - | - | - |
| LPCD4 80-160/1.1    | 1.1  | 1.5  | 8.6               | -                          | -   | -   | -   | -   | -   | -    | -   | -    | -   | 8.5  | 8.5  | 8.4 | 8.3 | 8.2  | 7.9  | 7.3  | 6.7  | 5.9  | 5    | -    | -    | -    | -   | -   | -   | - | - | - | - | - | - | - |
| LPCD4 80-160/1.5    | 1.5  | 2    | 10.3              | -                          | -   | -   | -   | -   | -   | -    | -   | -    | -   | 10.2 | 10.1 | 10  | 9.9 | 9.8  | 9.5  | 9    | 8.4  | 7.5  | 6.5  | -    | -    | -    | -   | -   | -   | - | - | - | - | - | - | - |
| LPCD4 100-200/1.5   | 1.5  | 2    | 8.6               | -                          | -   | -   | -   | -   | -   | -    | -   | -    | -   | -    | -    | -   | -   | 8.1  | 7.8  | 7.4  | 7    | 6.5  | 5.9  | 5.2  | 4.5  | 3.8  | -   | -   | -   | - | - | - | - | - | - |   |
| LPCD4 100-200/2.2   | 2.2  | 3    | 10.6              | -                          | -   | -   | -   | -   | -   | -    | -   | -    | -   | -    | -    | -   | -   | 10.2 | 10   | 9.7  | 9.3  | 9    | 8.6  | 8.2  | 7.7  | 7.2  | 6   | -   | -   | - | - | - | - | - | - |   |
| LPCD4 100-200/3     | 3    | 4    | 12.7              | -                          | -   | -   | -   | -   | -   | -    | -   | -    | -   | -    | -    | -   | -   | -    | 12   | 11.8 | 11.5 | 11.3 | 10.9 | 10.5 | 10   | 9.5  | 8.5 | 7   | -   | - | - | - | - | - | - |   |
| LPCD4 100-200/4     | 4    | 5.5  | 14.9              | -                          | -   | -   | -   | -   | -   | -    | -   | -    | -   | -    | -    | -   | -   | -    | 14.3 | 14.2 | 14   | 13.8 | 13.4 | 13.1 | 12.7 | 12.2 | 11  | 9   | 6.5 | - | - | - | - | - | - |   |





# LPC-LPC4, LPCD-LPCD4

POMPY OBIEGOWE „IN-LINE” z żeliwa

LPC seria 40-50 WYMIARY

2 bieguny

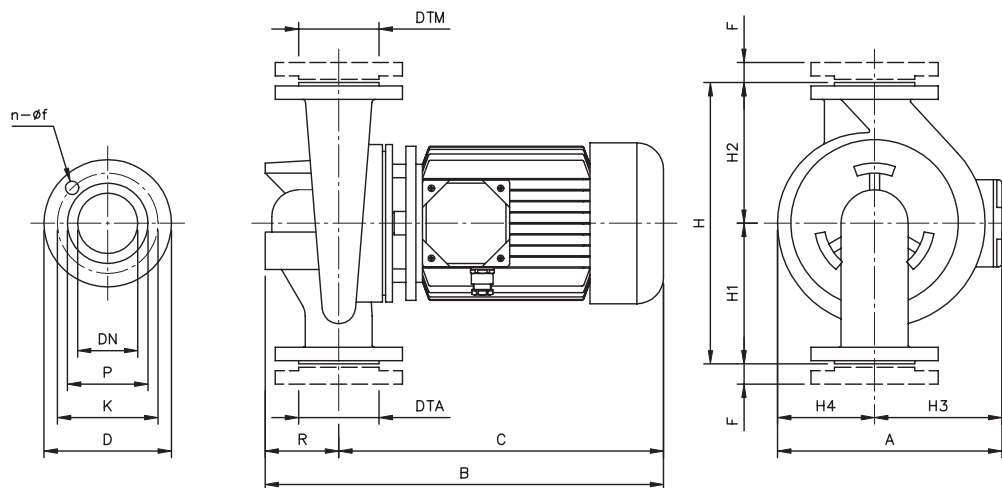


TABELA WYMIARÓW

| Typ pompy       |        |        | Wymiary (mm) |    |     |     |     |     |     |     |     |     |     |    |     |     |     | Masa [kg] |
|-----------------|--------|--------|--------------|----|-----|-----|-----|-----|-----|-----|-----|-----|-----|----|-----|-----|-----|-----------|
|                 | DTA/M  | DNA/M  | n            | f  | P   | K   | D   | H   | H1  | H2  | H3  | H4  | R   | F  | A   | B   | C   |           |
| LPC 40-100/0.55 | G1 1/2 | 40PN6  | 4            | 14 | 80  | 100 | 130 | 260 | 140 | 120 | 107 | 77  | 90  | 16 | 184 | 445 | 335 | 16        |
| LPC 40-100/0.75 | G1 1/2 | 40PN6  | 4            | 14 | 80  | 100 | 130 | 260 | 140 | 120 | 107 | 77  | 90  | 16 | 184 | 445 | 335 | 16        |
| LPC 40-125/0.75 | G1 1/2 | 40PN10 | 4            | 18 | 88  | 110 | 150 | 300 | 160 | 140 | 107 | 93  | 100 | 20 | 200 | 425 | 325 | 24        |
| LPC 40-125/1.1  | G1 1/2 | 40PN10 | 4            | 18 | 88  | 110 | 150 | 300 | 160 | 140 | 118 | 93  | 100 | 20 | 211 | 445 | 345 | 25        |
| LPC 40-125/1.5  | G1 1/2 | 40PN10 | 4            | 18 | 88  | 110 | 150 | 300 | 160 | 140 | 118 | 93  | 100 | 20 | 211 | 445 | 345 | 26        |
| LPC 40-160/2.2  | G1 1/2 | 40PN10 | 4            | 18 | 88  | 110 | 150 | 320 | 170 | 150 | 118 | 108 | 100 | 20 | 226 | 445 | 345 | 30        |
| LPC 40-160/3.0  | G1 1/2 | 40PN10 | 4            | 18 | 88  | 110 | 150 | 320 | 170 | 150 | 149 | 108 | 100 | 20 | 257 | 485 | 385 | 35        |
| LPC 40-160/4.0  | G1 1/2 | 40PN10 | 4            | 18 | 88  | 110 | 150 | 320 | 170 | 150 | 149 | 108 | 100 | 20 | 257 | 485 | 385 | 37        |
| LPC 40-200/4.0  | G1 1/2 | 40PN10 | 4            | 18 | 88  | 110 | 150 | 380 | 200 | 180 | 159 | 127 | 100 | 20 | 286 | 525 | 425 | 50        |
| LPC 40-200/5.5  | G1 1/2 | 40PN10 | 4            | 18 | 88  | 110 | 150 | 380 | 200 | 180 | 159 | 127 | 100 | 20 | 286 | 535 | 435 | 55        |
| LPC 40-200/6.3  | G1 1/2 | 40PN10 | 4            | 18 | 88  | 110 | 150 | 380 | 200 | 180 | 159 | 127 | 100 | 20 | 286 | 535 | 435 | 56        |
| LPC 50-125/1.5  | G2     | 50PN10 | 4            | 18 | 102 | 125 | 165 | 320 | 180 | 140 | 118 | 103 | 110 | 22 | 221 | 455 | 345 | 27        |
| LPC 50-125/2.2  | G2     | 50PN10 | 4            | 18 | 102 | 125 | 165 | 320 | 180 | 140 | 118 | 103 | 110 | 22 | 221 | 455 | 345 | 28        |
| LPC 50-125/3.0  | G2     | 50PN10 | 4            | 18 | 102 | 125 | 165 | 320 | 180 | 140 | 149 | 103 | 110 | 22 | 252 | 495 | 385 | 32        |
| LPC 50-160/3.0  | G2     | 50PN10 | 4            | 18 | 102 | 125 | 165 | 340 | 180 | 160 | 149 | 113 | 110 | 22 | 262 | 495 | 385 | 32        |
| LPC 50-160/4.0  | G2     | 50PN10 | 4            | 18 | 102 | 125 | 165 | 340 | 180 | 160 | 159 | 113 | 110 | 22 | 272 | 535 | 425 | 42        |
| LPC 50-200/5.5  | G2     | 50PN10 | 4            | 18 | 102 | 125 | 165 | 400 | 220 | 180 | 159 | 131 | 110 | 22 | 290 | 545 | 435 | 56        |
| LPC 50-200/6.3  | G2     | 50PN10 | 4            | 18 | 102 | 125 | 165 | 400 | 220 | 180 | 159 | 131 | 110 | 22 | 290 | 545 | 435 | 57        |
| LPC 50-200/7.5  | G2     | 50PN10 | 4            | 18 | 102 | 125 | 165 | 400 | 220 | 180 | 184 | 131 | 110 | 22 | 315 | 650 | 540 | 64        |



# LPC-LPC4, LPCD-LPCD4

POMPY OBIEGOWE „IN-LINE” z żeliwa

LPC seria 65-80-100 WYMIARY

2 bieguny

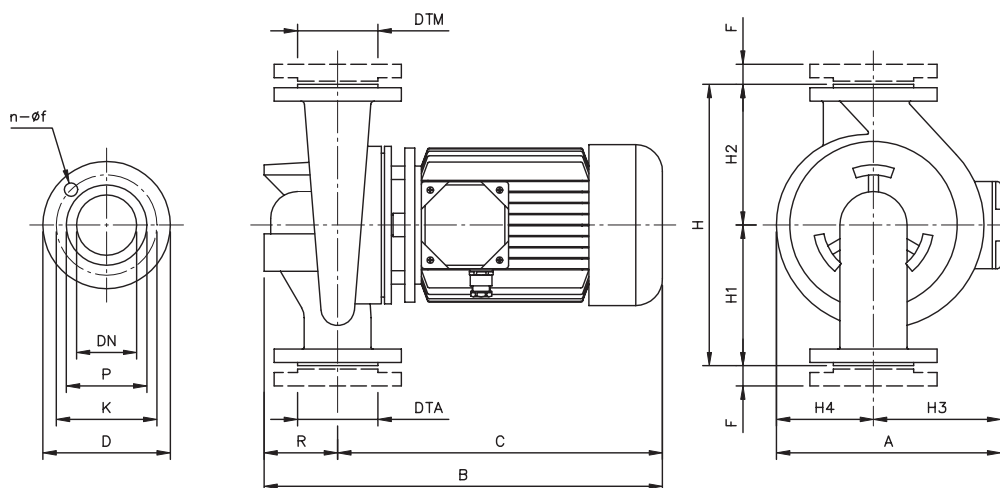


TABELA WYMIARÓW

| Typ pompy        | Wymiary (mm) |         |   |    |     |     |     |     |     |     |     |     |     |    |     |     | Masa [kg] |     |
|------------------|--------------|---------|---|----|-----|-----|-----|-----|-----|-----|-----|-----|-----|----|-----|-----|-----------|-----|
|                  | DTA/M        | DNA/M   | n | f  | P   | K   | D   | H   | H1  | H2  | H3  | H4  | R   | F  | A   | B   |           | C   |
| LPC 65-125/2.2   | G2 1/2       | 65PN10  | 4 | 18 | 122 | 145 | 185 | 360 | 205 | 155 | 118 | 108 | 140 | 22 | 226 | 485 | 345       | 32  |
| LPC 65-125/3.0   | G2 1/2       | 65PN10  | 4 | 18 | 122 | 145 | 185 | 360 | 205 | 155 | 149 | 108 | 140 | 22 | 257 | 525 | 385       | 39  |
| LPC 65-125/4.0   | G2 1/2       | 65PN10  | 4 | 18 | 122 | 145 | 185 | 360 | 205 | 155 | 159 | 108 | 140 | 22 | 267 | 565 | 425       | 43  |
| LPC 65-160/5.5   | G2 1/2       | 65PN10  | 4 | 18 | 122 | 145 | 185 | 400 | 220 | 180 | 159 | 122 | 140 | 22 | 281 | 575 | 435       | 54  |
| LPC 65-160/7.5   | G2 1/2       | 65PN10  | 4 | 18 | 122 | 145 | 185 | 400 | 220 | 180 | 184 | 122 | 140 | 22 | 306 | 680 | 540       | 61  |
| LPC 65-200/10    | G2 1/2       | 65PN10  | 4 | 18 | 122 | 145 | 185 | 440 | 240 | 200 | 184 | 136 | 140 | 22 | 320 | 680 | 540       | 70  |
| LPC 65-200/12.5  | G2 1/2       | 65PN10  | 4 | 18 | 122 | 145 | 185 | 440 | 240 | 200 | 184 | 136 | 140 | 22 | 320 | 680 | 540       | 77  |
| LPC 80-160/10    | G3           | 80PN10  | 4 | 18 | 138 | 160 | 200 | 440 | 240 | 200 | 184 | 131 | 160 | 24 | 315 | 700 | 540       | 72  |
| LPC 80-160/12.5  | G3           | 80PN10  | 4 | 18 | 138 | 160 | 200 | 440 | 240 | 200 | 184 | 131 | 160 | 24 | 315 | 700 | 540       | 79  |
| LPC 80-160/15    | G3           | 80PN10  | 4 | 18 | 138 | 160 | 200 | 440 | 240 | 200 | 184 | 131 | 160 | 24 | 315 | 700 | 540       | 85  |
| LPC 80-200/15    | G3           | 80PN10  | 4 | 18 | 138 | 160 | 200 | 500 | 275 | 225 | 184 | 146 | 160 | 24 | 330 | 700 | 540       | 91  |
| LPC 80-200/18.5  | G3           | 80PN10  | 4 | 18 | 138 | 160 | 200 | 500 | 275 | 225 | 229 | 146 | 160 | 24 | 375 | 860 | 700       | 124 |
| LPC 80-200/22    | G3           | 80PN10  | 4 | 18 | 138 | 160 | 200 | 500 | 275 | 225 | 229 | 146 | 160 | 24 | 375 | 860 | 700       | 142 |
| LPC 100-160/10   | G4           | 100PN10 | 8 | 18 | 158 | 180 | 220 | 525 | 300 | 225 | 184 | 136 | 190 | 26 | 320 | 730 | 540       | 76  |
| LPC 100-160/12.5 | G4           | 100PN10 | 8 | 18 | 158 | 180 | 220 | 525 | 300 | 225 | 184 | 136 | 190 | 26 | 320 | 730 | 540       | 84  |
| LPC 100-160/15   | G4           | 100PN10 | 8 | 18 | 158 | 180 | 220 | 525 | 300 | 225 | 184 | 136 | 190 | 26 | 320 | 730 | 540       | 91  |
| LPC 100-200/18.5 | G4           | 100PN10 | 8 | 18 | 158 | 180 | 220 | 550 | 300 | 250 | 230 | 156 | 190 | 26 | 386 | 890 | 710       | 135 |
| LPC 100-200/22   | G4           | 100PN10 | 8 | 18 | 158 | 180 | 220 | 550 | 300 | 250 | 230 | 156 | 190 | 26 | 386 | 890 | 710       | 153 |
| LPC 100-200/30   | G4           | 100PN10 | 8 | 18 | 158 | 180 | 220 | 550 | 300 | 250 | 257 | 156 | 190 | 26 | 413 | 995 | 805       | 195 |
| LPC 100-200/37   | G4           | 100PN10 | 8 | 18 | 158 | 180 | 220 | 550 | 300 | 250 | 257 | 156 | 190 | 26 | 413 | 995 | 805       | 213 |
| LPC 100-250/37   | G4           | 100PN10 | 8 | 18 | 158 | 180 | 220 | 600 | 320 | 280 | 257 | 176 | 190 | 26 | 433 | 995 | 805       | 220 |



# LPC-LPC4, LPCD-LPCD4

POMPY OBIEGOWE „IN-LINE” z żeliwa

LPCD seria 40-50-65-80-100 WYMIARY

2 bieguny

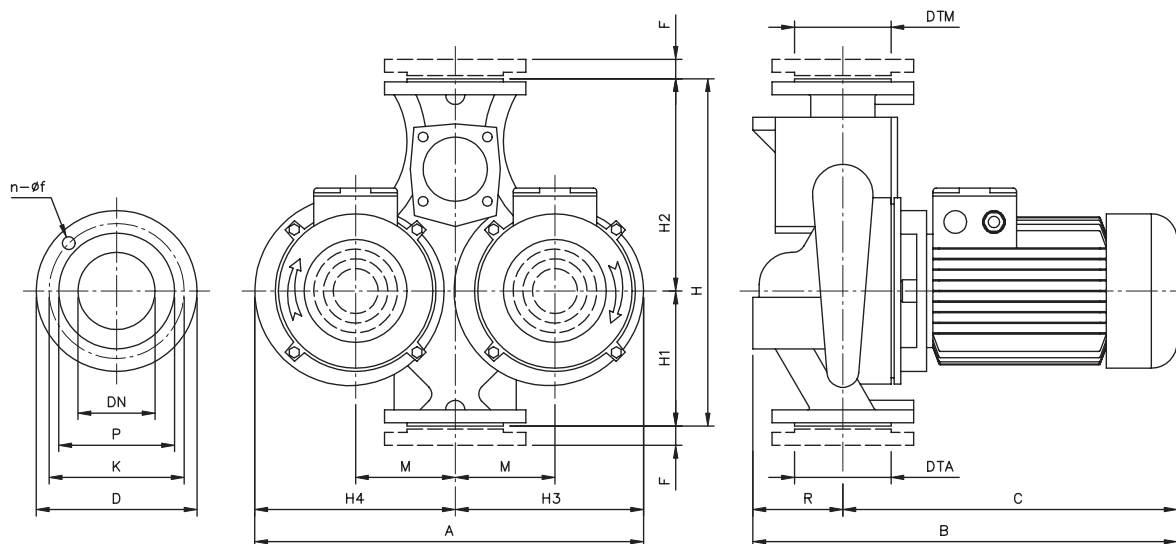


TABELA WYMIARÓW

| Typ pompy         | Wymiary (mm) |         |   |    |     |     |     |     |     |     |     |     |     |     |    |     |     |     |     | Masa [kg] |
|-------------------|--------------|---------|---|----|-----|-----|-----|-----|-----|-----|-----|-----|-----|-----|----|-----|-----|-----|-----|-----------|
|                   | DTA/M        | DNA/M   | n | f  | P   | K   | D   | H   | H1  | H2  | H3  | H4  | M   | R   | F  | A   | B   | C   |     |           |
| LPCD 40-125/0.55  | G1 1/2       | 40PN10  | 4 | 18 | 88  | 110 | 150 | 340 | 130 | 210 | 197 | 200 | 100 | 100 | 20 | 397 | 425 | 325 | 50  |           |
| LPCD 40-125/0.75  | G1 1/2       | 40PN10  | 4 | 18 | 88  | 110 | 150 | 340 | 130 | 210 | 197 | 200 | 100 | 100 | 20 | 397 | 425 | 325 | 50  |           |
| LPCD 40-125/1.1   | G1 1/2       | 40PN10  | 4 | 18 | 88  | 110 | 150 | 340 | 130 | 210 | 197 | 200 | 100 | 100 | 20 | 397 | 445 | 345 | 52  |           |
| LPCD 40-125/1.5   | G1 1/2       | 40PN10  | 4 | 18 | 88  | 110 | 150 | 340 | 130 | 210 | 197 | 200 | 100 | 100 | 20 | 397 | 445 | 345 | 54  |           |
| LPCD 50-125/1.5   | G2           | 50PN10  | 4 | 18 | 102 | 125 | 165 | 365 | 145 | 220 | 210 | 217 | 105 | 110 | 22 | 427 | 455 | 345 | 56  |           |
| LPCD 50-125/2.2   | G2           | 50PN10  | 4 | 18 | 102 | 125 | 165 | 365 | 145 | 220 | 210 | 217 | 105 | 110 | 22 | 427 | 455 | 345 | 58  |           |
| LPCD 50-125/3.0   | G2           | 50PN10  | 4 | 18 | 102 | 125 | 165 | 365 | 145 | 220 | 210 | 217 | 105 | 110 | 22 | 427 | 495 | 385 | 66  |           |
| LPCD 50-160/3.0   | G2           | 50PN10  | 4 | 18 | 102 | 125 | 165 | 410 | 170 | 240 | 235 | 245 | 120 | 110 | 22 | 480 | 495 | 385 | 72  |           |
| LPCD 50-160/4.0   | G2           | 50PN10  | 4 | 18 | 102 | 125 | 165 | 410 | 170 | 240 | 235 | 245 | 120 | 110 | 22 | 480 | 535 | 425 | 86  |           |
| LPCD 65-160/3.0   | G2 1/2       | 65PN10  | 4 | 18 | 122 | 145 | 185 | 450 | 180 | 270 | 268 | 275 | 140 | 130 | 22 | 543 | 515 | 385 | 81  |           |
| LPCD 65-160/4.0   | G2 1/2       | 65PN10  | 4 | 18 | 122 | 145 | 185 | 450 | 180 | 270 | 268 | 275 | 140 | 130 | 22 | 543 | 555 | 425 | 101 |           |
| LPCD 65-160/5.5   | G2 1/2       | 65PN10  | 4 | 18 | 122 | 145 | 185 | 450 | 180 | 270 | 268 | 275 | 140 | 130 | 22 | 543 | 565 | 435 | 125 |           |
| LPCD 65-160/7.5   | G2 1/2       | 65PN10  | 4 | 18 | 122 | 145 | 185 | 450 | 180 | 270 | 268 | 275 | 140 | 130 | 22 | 543 | 565 | 435 | 132 |           |
| LPCD 80-160/7.5   | G3           | 80PN10  | 4 | 18 | 138 | 160 | 200 | 510 | 205 | 305 | 270 | 280 | 135 | 130 | 24 | 550 | 565 | 435 | 137 |           |
| LPCD 80-160/10    | G3           | 80PN10  | 4 | 18 | 138 | 160 | 200 | 510 | 205 | 305 | 270 | 280 | 135 | 150 | 24 | 550 | 690 | 540 | 141 |           |
| LPCD 80-160/12.5  | G3           | 80PN10  | 4 | 18 | 138 | 160 | 200 | 510 | 205 | 305 | 270 | 280 | 135 | 150 | 24 | 550 | 690 | 540 | 162 |           |
| LPCD 80-160/15    | G3           | 80PN10  | 4 | 18 | 138 | 160 | 200 | 510 | 205 | 305 | 270 | 280 | 135 | 150 | 24 | 550 | 690 | 540 | 175 |           |
| LPCD 100-200/12.5 | G4           | 100PN10 | 8 | 18 | 158 | 180 | 220 | 630 | 240 | 390 | 345 | 325 | 165 | 180 | 26 | 670 | 720 | 540 | 162 |           |
| LPCD 100-200/15   | G4           | 100PN10 | 8 | 18 | 158 | 180 | 220 | 630 | 240 | 390 | 345 | 325 | 165 | 180 | 26 | 670 | 720 | 540 | 162 |           |



# LPC-LPC4, LPCD-LPCD4

POMPY OBIEGOWE „IN-LINE” z żeliwa

LPC4 seria 40-50-65-80-100 WYMIARY

4 bieguny

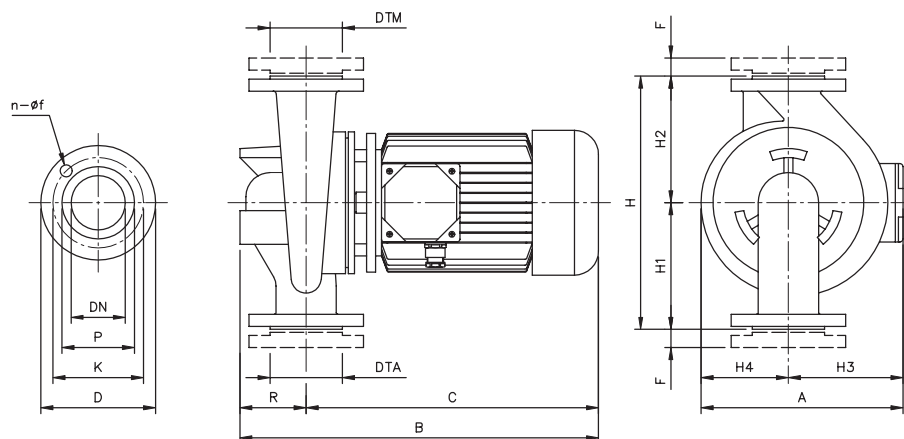


TABELA WYMIARÓW

| Typ pompy          | Wymiary (mm) |         |   |    |     |     |     |     |     |     |     |     |     |    |     |     | Masa [kg] |     |
|--------------------|--------------|---------|---|----|-----|-----|-----|-----|-----|-----|-----|-----|-----|----|-----|-----|-----------|-----|
|                    | DTA/M        | DNA/M   | n | f  | P   | K   | D   | H   | H1  | H2  | H3  | H4  | R   | F  | A   | B   |           | C   |
| LPC4 40-100/0.25   | G1 1/2       | 40PN6   | 4 | 14 | 80  | 100 | 130 | 260 | 140 | 120 | 107 | 77  | 90  | 16 | 184 | 445 | 355       | 16  |
| LPC4-40-125/0.25 R | G1 1/2       | 40PN10  | 4 | 18 | 88  | 110 | 150 | 300 | 160 | 140 | 107 | 93  | 100 | 20 | 200 | 425 | 325       | 20  |
| LPC4 40-125/0.25   | G1 1/2       | 40PN10  | 4 | 18 | 88  | 110 | 150 | 300 | 160 | 140 | 107 | 93  | 100 | 20 | 200 | 425 | 325       | 20  |
| LPC4 40-160/0.37   | G1 1/2       | 40PN10  | 4 | 18 | 88  | 110 | 150 | 320 | 170 | 150 | 107 | 108 | 100 | 20 | 215 | 425 | 325       | 23  |
| LPC4 40-200/0.75   | G1 1/2       | 40PN10  | 4 | 18 | 88  | 110 | 150 | 380 | 200 | 180 | 118 | 127 | 100 | 20 | 245 | 445 | 345       | 30  |
| LPC4 40-200/0.92   | G1 1/2       | 40PN10  | 4 | 18 | 88  | 110 | 150 | 380 | 200 | 180 | 118 | 127 | 100 | 20 | 245 | 445 | 345       | 31  |
| LPC4 50-125/0.25   | G2           | 50PN10  | 4 | 18 | 102 | 125 | 165 | 320 | 180 | 140 | 107 | 103 | 110 | 22 | 210 | 435 | 325       | 21  |
| LPC4 50-125/0.37   | G2           | 50PN10  | 4 | 18 | 102 | 125 | 165 | 320 | 180 | 140 | 107 | 103 | 110 | 22 | 210 | 435 | 325       | 22  |
| LPC4 50-160/0.55   | G2           | 50PN10  | 4 | 18 | 102 | 125 | 165 | 340 | 180 | 160 | 107 | 113 | 110 | 22 | 220 | 435 | 325       | 25  |
| LPC4 50-200/1.1 R  | G2           | 50PN10  | 4 | 18 | 102 | 125 | 165 | 400 | 220 | 180 | 149 | 131 | 110 | 22 | 280 | 495 | 385       | 36  |
| LPC4 50-200/1.1    | G2           | 50PN10  | 4 | 18 | 102 | 125 | 165 | 400 | 220 | 180 | 149 | 131 | 110 | 22 | 280 | 495 | 385       | 36  |
| LPC4 65-125/0.37   | G2 1/2       | 65PN10  | 4 | 18 | 122 | 145 | 185 | 360 | 205 | 155 | 107 | 108 | 140 | 22 | 215 | 465 | 325       | 25  |
| LPC4 65-125/0.55   | G2 1/2       | 65PN10  | 4 | 18 | 122 | 145 | 185 | 360 | 205 | 155 | 107 | 108 | 140 | 22 | 215 | 465 | 325       | 26  |
| LPC4 65-160/0.75   | G2 1/2       | 65PN10  | 4 | 18 | 122 | 145 | 185 | 400 | 220 | 180 | 118 | 122 | 140 | 22 | 240 | 485 | 345       | 32  |
| LPC4 65-160/0.92   | G2 1/2       | 65PN10  | 4 | 18 | 122 | 145 | 185 | 400 | 220 | 180 | 118 | 122 | 140 | 22 | 240 | 485 | 345       | 33  |
| LPC4 65-200/1.1    | G2 1/2       | 65PN10  | 4 | 18 | 122 | 145 | 185 | 440 | 240 | 200 | 149 | 136 | 140 | 22 | 285 | 525 | 385       | 38  |
| LPC4 65-200/1.5    | G2 1/2       | 65PN10  | 4 | 18 | 122 | 145 | 185 | 440 | 240 | 200 | 149 | 136 | 140 | 22 | 285 | 525 | 385       | 40  |
| LPC4 80-160/0.75   | G3           | 80PN10  | 4 | 18 | 138 | 160 | 200 | 440 | 240 | 200 | 118 | 131 | 160 | 24 | 249 | 505 | 345       | 36  |
| LPC4 80-160/0.92   | G3           | 80PN10  | 4 | 18 | 138 | 160 | 200 | 440 | 240 | 200 | 118 | 131 | 160 | 24 | 249 | 505 | 345       | 37  |
| LPC4 80-160/1.1    | G3           | 80PN10  | 4 | 18 | 138 | 160 | 200 | 440 | 240 | 200 | 149 | 131 | 160 | 24 | 280 | 545 | 385       | 38  |
| LPC4 80-160/1.5    | G3           | 80PN10  | 4 | 18 | 138 | 160 | 200 | 440 | 240 | 200 | 149 | 131 | 160 | 24 | 280 | 545 | 385       | 40  |
| LPC4 80-200/2.2    | G3           | 80PN10  | 4 | 18 | 138 | 160 | 200 | 500 | 275 | 225 | 159 | 146 | 160 | 24 | 305 | 585 | 425       | 51  |
| LPC4 80-200/3.0    | G3           | 80PN10  | 4 | 18 | 138 | 160 | 200 | 500 | 275 | 225 | 159 | 146 | 160 | 24 | 305 | 585 | 425       | 57  |
| LPC4 100-160/1.5   | G4           | 100PN10 | 8 | 18 | 158 | 180 | 220 | 525 | 300 | 225 | 149 | 136 | 190 | 26 | 285 | 575 | 385       | 45  |
| LPC4 100-160/2.2   | G4           | 100PN10 | 8 | 18 | 158 | 180 | 220 | 525 | 300 | 225 | 159 | 136 | 190 | 26 | 295 | 615 | 425       | 50  |
| LPC4 100-200/3.0   | G4           | 100PN10 | 8 | 18 | 158 | 180 | 220 | 550 | 300 | 250 | 159 | 156 | 190 | 26 | 315 | 615 | 425       | 66  |
| LPC4 100-200/4.0   | G4           | 100PN10 | 8 | 18 | 158 | 180 | 220 | 550 | 300 | 250 | 159 | 156 | 190 | 26 | 315 | 625 | 435       | 73  |
| LPC4 100-250/5.5   | G4           | 100PN10 | 8 | 18 | 158 | 180 | 220 | 600 | 320 | 280 | 184 | 176 | 190 | 26 | 360 | 730 | 540       | 96  |
| LPC4 100-250/7.5   | G4           | 100PN10 | 8 | 18 | 158 | 180 | 220 | 600 | 320 | 280 | 184 | 176 | 190 | 26 | 360 | 730 | 540       | 106 |



# LPC-LPC4, LPCD-LPCD4

POMPY OBIEGOWE „IN-LINE” z żeliwa

LPCD4 seria 40-50-65-80-100 WYMIARY

4 bieguny

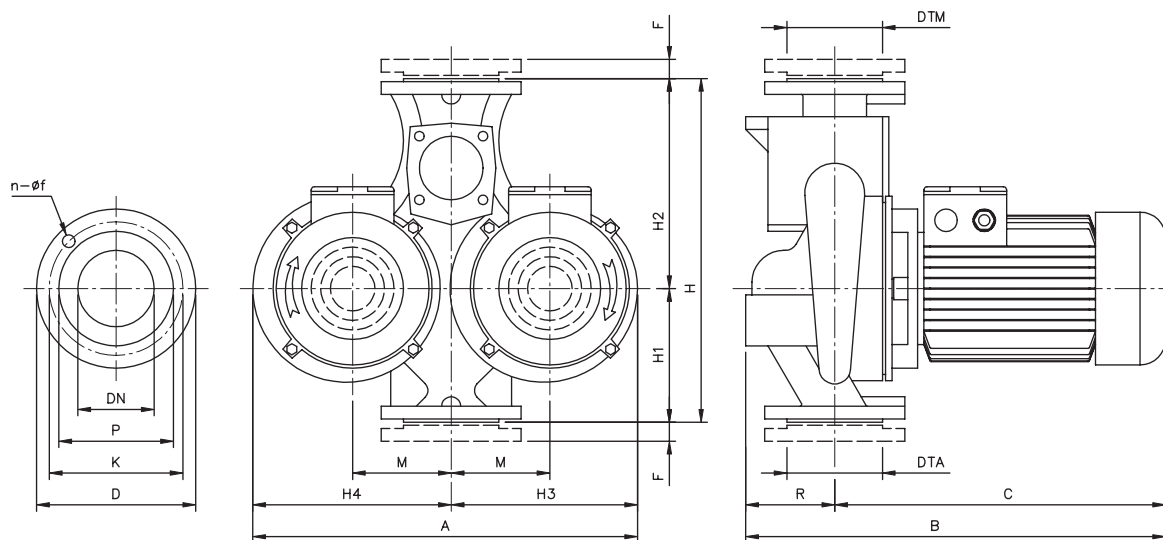


TABELA WYMIARÓW

| Typ pompy          | Wymiary (mm) |         |   |    |     |     |     |     |     |     |     |     |     |     |    |     |     |     |     | Masa [kg] |
|--------------------|--------------|---------|---|----|-----|-----|-----|-----|-----|-----|-----|-----|-----|-----|----|-----|-----|-----|-----|-----------|
|                    | DTA/M        | DNA/M   | n | f  | P   | K   | D   | H   | H1  | H2  | H3  | H4  | M   | R   | F  | A   | B   | C   |     |           |
| LPCD4 40-100/0.25  | G1 1/2       | 40PN10  | 4 | 18 | 88  | 110 | 150 | 340 | 130 | 210 | 197 | 200 | 100 | 100 | 20 | 397 | 425 | 325 | 41  |           |
| LPCD4 40-125/0.25R | G1 1/2       | 40PN10  | 4 | 18 | 88  | 110 | 150 | 340 | 130 | 210 | 197 | 200 | 100 | 100 | 20 | 397 | 425 | 325 | 41  |           |
| LPCD4 40-125/0.25  | G1 1/2       | 40PN10  | 4 | 18 | 88  | 110 | 150 | 340 | 130 | 210 | 197 | 200 | 100 | 100 | 20 | 397 | 425 | 325 | 41  |           |
| LPCD4 50-125/0.25  | G2           | 50PN10  | 4 | 18 | 102 | 125 | 165 | 365 | 145 | 220 | 210 | 217 | 105 | 110 | 22 | 427 | 435 | 325 | 44  |           |
| LPCD4 50-125/0.37  | G2           | 50PN10  | 4 | 18 | 102 | 125 | 165 | 365 | 145 | 220 | 210 | 217 | 105 | 110 | 22 | 427 | 435 | 325 | 46  |           |
| LPCD4 50-160/0.55  | G2           | 50PN10  | 4 | 18 | 102 | 125 | 165 | 410 | 170 | 240 | 235 | 245 | 120 | 110 | 22 | 480 | 435 | 325 | 52  |           |
| LPCD4 65-160/0.55  | G2 1/2       | 65PN10  | 4 | 18 | 122 | 145 | 185 | 450 | 180 | 270 | 268 | 275 | 140 | 130 | 22 | 543 | 475 | 345 | 65  |           |
| LPCD4 65-160/0.75  | G2 1/2       | 65PN10  | 4 | 18 | 122 | 145 | 185 | 450 | 180 | 270 | 268 | 275 | 140 | 130 | 22 | 543 | 475 | 345 | 65  |           |
| LPCD4 65-160/0.92  | G2 1/2       | 65PN10  | 4 | 18 | 122 | 145 | 185 | 450 | 180 | 270 | 268 | 275 | 140 | 130 | 22 | 543 | 475 | 345 | 67  |           |
| LPCD4 80-160/0.75  | G3           | 80PN10  | 4 | 18 | 138 | 160 | 200 | 510 | 205 | 305 | 270 | 280 | 135 | 150 | 24 | 550 | 485 | 335 | 72  |           |
| LPCD4 80-160/0.92  | G3           | 80PN10  | 4 | 18 | 138 | 160 | 200 | 510 | 205 | 305 | 270 | 280 | 135 | 150 | 24 | 550 | 485 | 335 | 74  |           |
| LPCD4 80-160/1.1   | G3           | 80PN10  | 4 | 18 | 138 | 160 | 200 | 510 | 205 | 305 | 270 | 280 | 135 | 150 | 24 | 550 | 535 | 385 | 79  |           |
| LPCD4 80-160/1.5   | G3           | 80PN10  | 4 | 18 | 138 | 160 | 200 | 510 | 205 | 305 | 270 | 280 | 135 | 150 | 24 | 550 | 535 | 385 | 83  |           |
| LPCD4 100-200/1.5  | G4           | 100PN10 | 8 | 18 | 158 | 180 | 220 | 630 | 240 | 390 | 345 | 325 | 165 | 180 | 26 | 670 | 535 | 355 | 110 |           |
| LPCD4 100-200/2.2  | G4           | 100PN10 | 8 | 18 | 158 | 180 | 220 | 630 | 240 | 390 | 345 | 325 | 165 | 180 | 26 | 670 | 605 | 425 | 130 |           |
| LPCD4 100-200/3.0  | G4           | 100PN10 | 8 | 18 | 158 | 180 | 220 | 630 | 240 | 390 | 345 | 325 | 165 | 180 | 26 | 670 | 605 | 425 | 138 |           |
| LPCD4 100-200/4.0  | G4           | 100PN10 | 8 | 18 | 158 | 180 | 220 | 630 | 240 | 390 | 345 | 325 | 165 | 180 | 26 | 670 | 615 | 435 | 150 |           |